

## **Contents**

- |                                |         |
|--------------------------------|---------|
| 1. Introduction                | Pg. 4   |
| 2. How To Use Your Parts Book  | Pg. 4   |
| 3. Engine Breakdown            | Pg. 5   |
| 4. Symbol Descriptions         | Pg. 7   |
| 5. Parts Lists & Illustrations | Pg. 9   |
| 6. Parts Index                 | Pg. 108 |

## **Introduction**

The build list of your engine, found on the front page of this parts book, provides a unique reference to the components fitted to your engine; therefore this parts book is only applicable to this particular engine

Always quote your build list and engine serial number when contacting your Perkins outlet.

## **How to use your Parts Book**

This parts book has been designed to provide you with all the information you need to identify parts to service your engine. There are several features within the book to make it easy to find the parts you require.

### **Front Page**

This lists your build list number and the date of publication of this book

### **Symbol Descriptions**

Provides a quick reference guide to the symbols used within the book.

### **Engine Breakdown**

Use this to identify all the major sections of your engine and the relevant pages within the book.

### **Parts Lists & Illustrations**

This section shows each major section of your engine broken down into individual part numbers along with an associated illustration for identifying the parts you require.

The illustrations used in this parts book are representational only and should only be used for identification purposes.

For fitting instructions please refer to your engine Service Manual.

### **Parts Index**

Using either the part number or description of the part you require this section will help you locate the page within the **Parts Lists & Illustrations** section where the part appears.

**Engine Breakdown**

<b>Section</b>	<b>Page</b>
<b>Short Engine ACEK6350</b>	<b>9</b>
<b>Cylinder Block ACHK0020</b>	<b>11</b>
<b>Crankshaft, Pistons &amp; Connecting Rods ACHK0020</b>	<b>15</b>
<b>Crankshaft, Pistons &amp; Connecting Rods ACHK0020</b>	<b>17</b>
<b>Cylinder Head ACHK0020</b>	<b>19</b>
<b>Rocker Shaft ACHK0020</b>	<b>21</b>
<b>Timing Gear &amp; Camshaft ACHK0020</b>	<b>23</b>
<b>Timing Gear &amp; Camshaft ACHK0020</b>	<b>25</b>
<b>Lubricating Oil Pump &amp; Delivery Housing ACHK0020</b>	<b>27</b>
<b>Oil Pump U5MK8265.</b>	<b>29</b>
<b>Fuel Injection Pump AFHK2094</b>	<b>31</b>
<b>Fuel Injection Equipment (Diesel) AFHK2094</b>	<b>33</b>


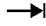



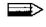












<b>Section</b>	<b>Page</b>
<b>PTO Clutch &amp; Gearbox BDHK0479</b>	<b>39</b>
<b>PTO Clutch &amp; Gearbox BDHK0479</b>	<b>41</b>
<b>PTO Clutch &amp; Gearbox BDHK0479</b>	<b>43</b>
<b>Flywheel Housing CDHK0757</b>	<b>47</b>
<b>Flywheel &amp; Starter Ring DDHK0822</b>	<b>49</b>
<b>Starter Motor EDHK0615</b>	<b>51</b>
<b>Starter Motor EDHK0615</b>	<b>53</b>
<b>Lubricating Oil Sump GBHK1402</b>	<b>55</b>
<b>Lubricating Oil Filler &amp; Breather HBHK1401</b>	<b>59</b>
<b>Lubricating Oil Filter &amp; Integral Oil Cooler JBHK1029</b>	<b>61</b>
<b>Front End Drive Input KBHK0579</b>	<b>63</b>
<b>Water Pump, Thermostat &amp; Heat Exchanger LBHK1390</b>	<b>65</b>

<b>Engine Breakdown</b>
-------------------------

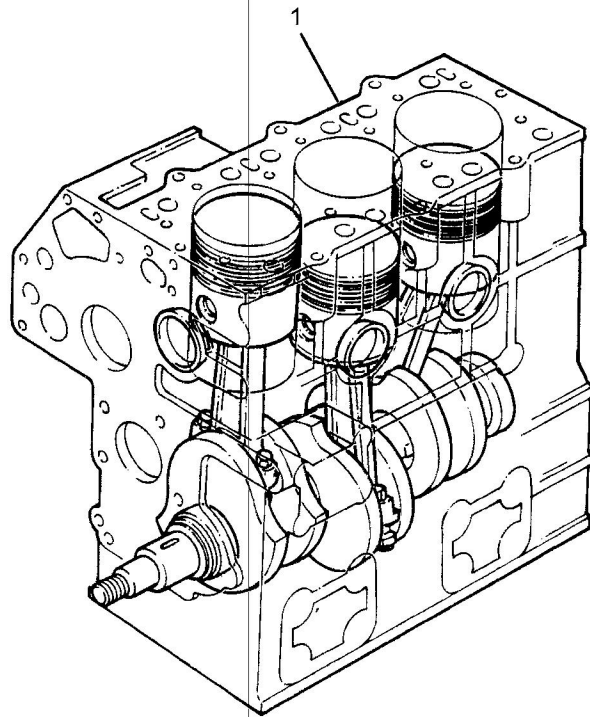
<b>Section</b>	<b>Page</b>
<b>Water Pump, Thermostat &amp; Heat Exchanger LBHK1390</b>	<b>69</b>
<b>Alternator &amp; Generator NDHK1764</b>	<b>71</b>
<b>Alternator &amp; Generator NDHK1764</b>	<b>73</b>
<b>Gear Driven Sea Water Pump QBHK0138</b>	<b>75</b>
<b>Gear Drive Auxiliary Drive Option QDHK0930</b>	<b>77</b>
<b>Induction Manifold TBHK0557</b>	<b>79</b>
<b>Exhaust Outlet Flange UDHK0398</b>	<b>81</b>
<b>Low Pressure Fuel System VBHK1398</b>	<b>83</b>
<b>Low Pressure Fuel System VBHK1398</b>	<b>85</b>
<b>Cold Start System WDHK0192</b>	<b>87</b>
<b>Engine Lifting XBHK0308</b>	<b>89</b>
<b>Throttle &amp; Stop Controls ZAHK0520</b>	<b>91</b>

<b>Section</b>	<b>Page</b>
<b>Mountings (Front &amp; Rear) ZCHK0826</b>	<b>93</b>
<b>Lub. Oil Pressure Switch &amp; Gauge ZJHK0404</b>	<b>95</b>
<b>Radiator &amp; Cowling ZMHK0255</b>	<b>97</b>
<b>Instrumentation Assembly ZNHK0154</b>	<b>99</b>
<b>Tachometer &amp; Hour Recorder ZQHK0523</b>	<b>101</b>
<b>Application Miscellaneous &amp; Auxiliaries ZZHK0422</b>	<b>103</b>
<b>Application Miscellaneous &amp; Auxiliaries ZZUK0100</b>	<b>105</b>
<b>Joints &amp; Gaskets - Complete Service Kit SGBK0010</b>	<b>107</b>

## Symbols and Notes

Symbol	Description
	From Engine Number
	Upto Engine Number
	Repairs and Replaces
	See Appropriate Section - Reference Number
	Alternative
	Order
	Remanufactured Part
	New for Old Part
	Number of Teeth
	Thickness
	Bottom
	Top
	Left Hand
	Right Hand
	Reference for Detailed Breakdown
	Other Service Options Available
	Cylinder Number
	See History Section

ACEK6350

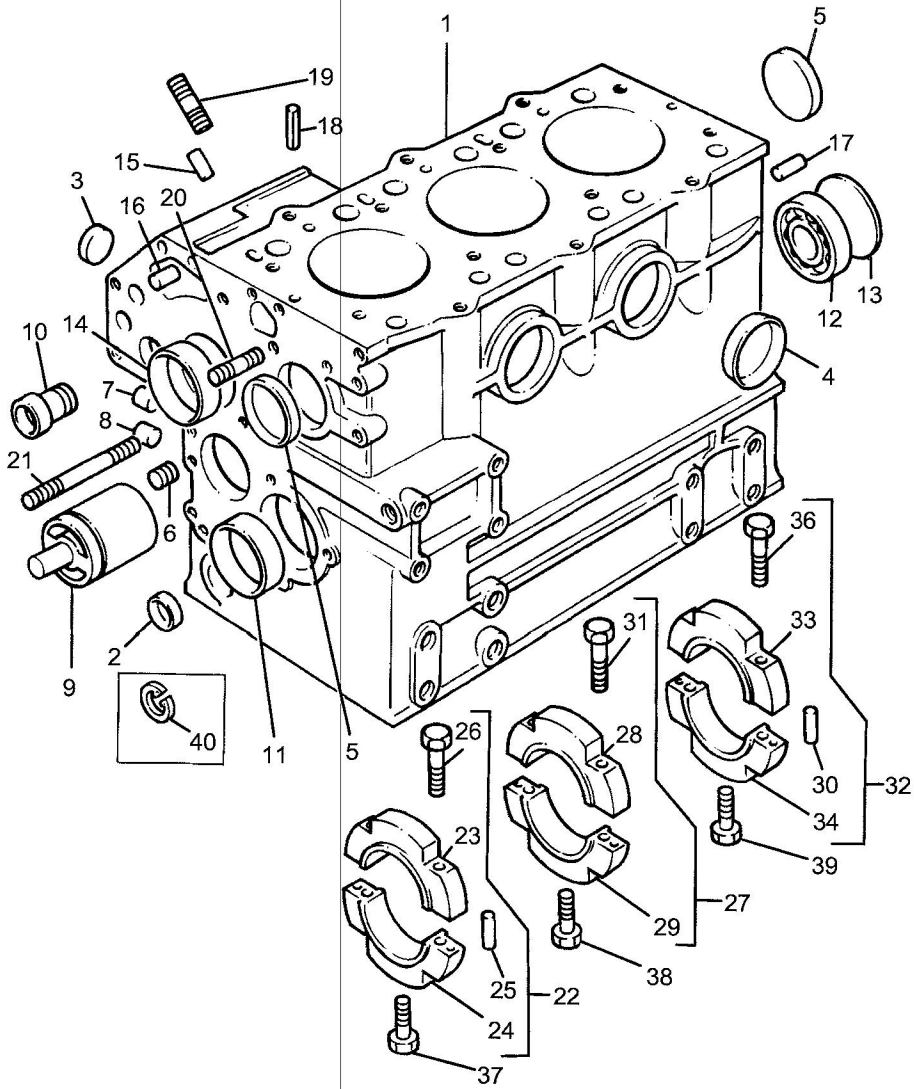


<b>Short Engine</b>	<b>Plate A</b>
	<b>ACEK6350</b>

Item	Part No.	References	Qty.	Description	Notes
1	110006350		1	SHORT ENGINE - ASSEMBLY	
2			1	CYLINDER BLOCK	(A)
2			1	CRANKSHAFT	
2			3	PISTON	
2			3	PISTON RING	
2			3	CONROD	
2			6	MAIN BEARING	
2			6	BIG END BEARING	
2			2	THRUST WASHER	

<b>Footnotes</b>	
(A)	COMPLETE WITH PLUGS

ACHK0020





ACHK0020

Item	Part No.	References	Qty.	Description	Notes
1	110186020	∞ 110106992	1	CYLINDER BLOCK ASSEMBLY	
2	└064210015		1	CAP	
3	└064210025		1	PLUG	
4	└064210035		2	PLUG	
5	└064210040		2	PLUG	
6	└198466050		1	PLUG	
7	└198466940	☐ a.	4	PLUG	
8	└198466010		4	PLUG	
9	└		1	HUB	(A)
10	└198517090		1	BUSH	
11	└198517082	☐ b. ☐ b.	1	BUSH	
12	└040106203		1	BALL BEARING	
13	└064100045		1	PLUG	
14	└042303015		1	NEEDLE BEARING	
15	└030500512		2	DOWEL	
16	└030500616		2	DOWEL	
17	└030501025		2	DOWEL	
18	└030309005		2	PIN	
19	└012110620		2	STUD	
20	└012100635		1	STUD	
21	└012100660		1	STUD	
22	└110156111		1	BEARING HOLDER ASSEMBLY	
23	└		1	CAP	
24	└		1	CAP	
25	└└030500612		2	DOWEL	
26	└└010810840		2	SCREW	
27	└110156121		1	BEARING HOLDER ASSEMBLY	
28	└		1	CAP	
29	└		1	CAP	
30	└└030500612		2	DOWEL	
31	└└010810840		2	SCREW	
32	└110156330	∞ 110156131	1	BEARING HOLDER ASSEMBLY	
33	└		1	CAP	
34	└		1	CAP	
35	└└030500612		2	DOWEL	
36	└└010810840		2	SCREW	
37	└011510850	∞ 011310850	1	SCREW	
38	└011510850	∞ 011310850	1	SCREW	
39	└010700845		2	SCREW	
40	└036509005		1	CIRCLIP	

## History

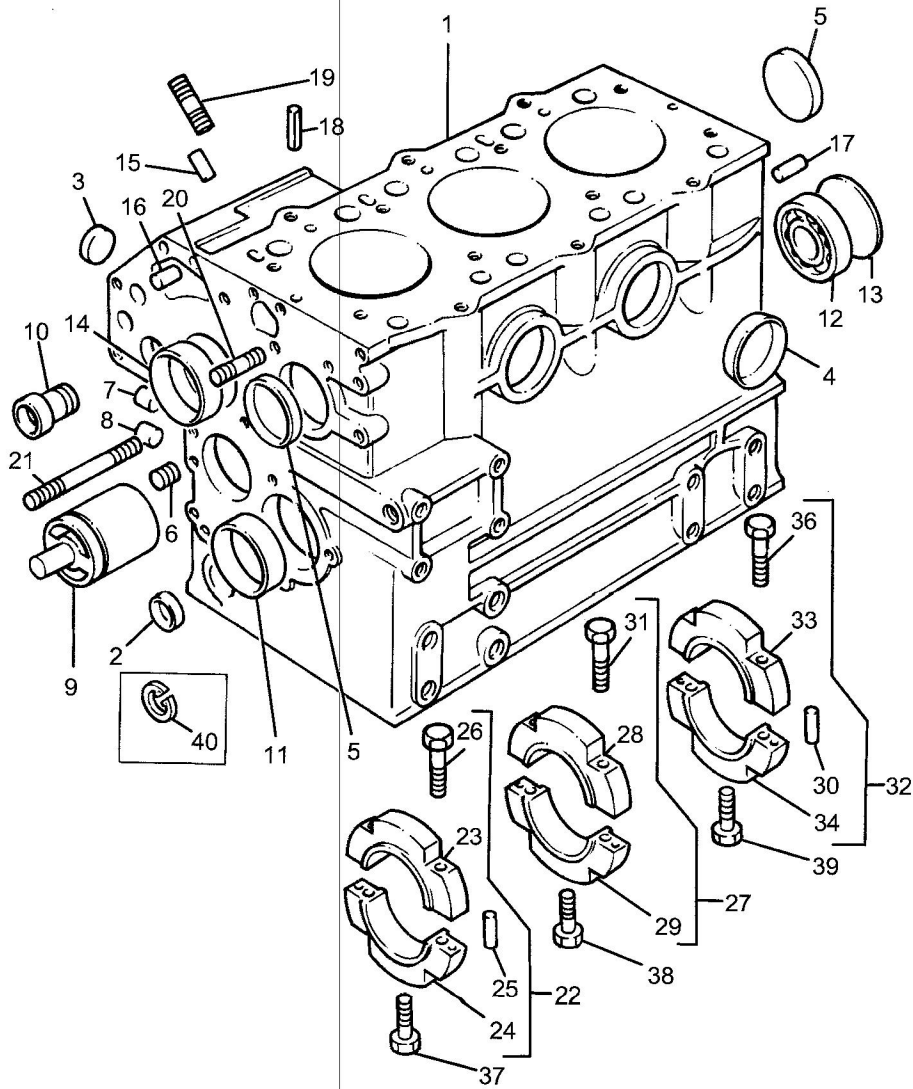
a.

7	└198466030		4	PLUG
---	------------	--	---	------

b. General History Section

11	└198517084	∓ (-)0.25MM	X	BUSH
11	└198517087	∓ (-)0.50MM	X	BUSH

ACHK0020

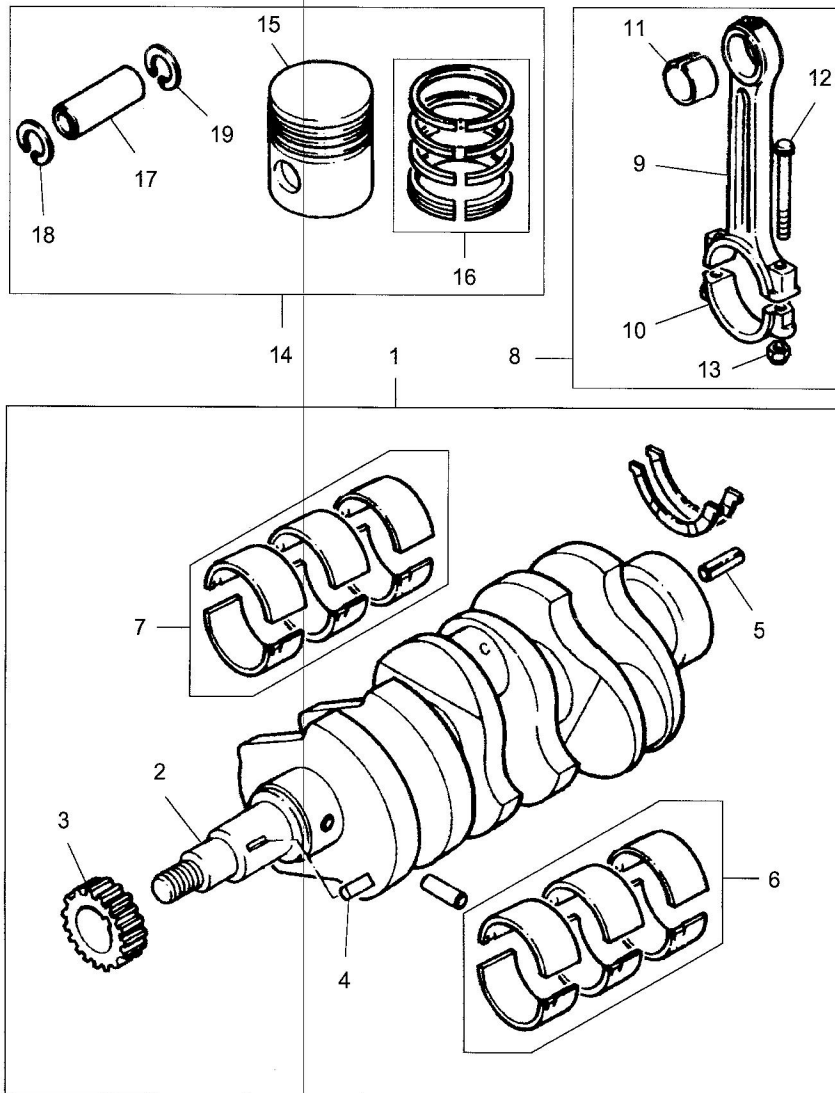


<b>Cylinder Block</b>	<b>Plate A</b>
	<b>ACHK0020</b>

<b>Footnotes</b>	
(A)	REFER TO U5MK8265

↳ U150873J → U150872J

ACHK0020



## Crankshaft, Pistons &amp; Connecting Rods

Plate A

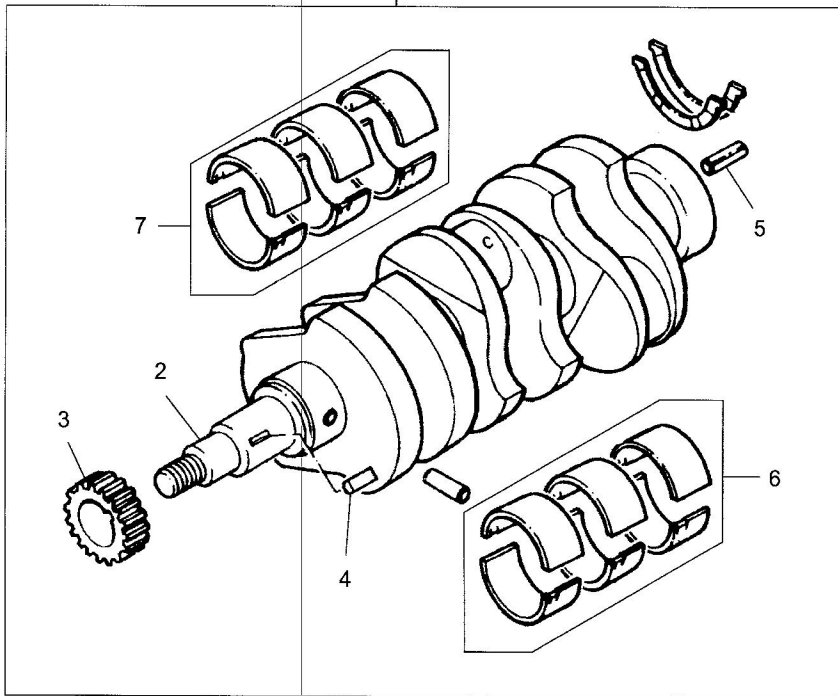
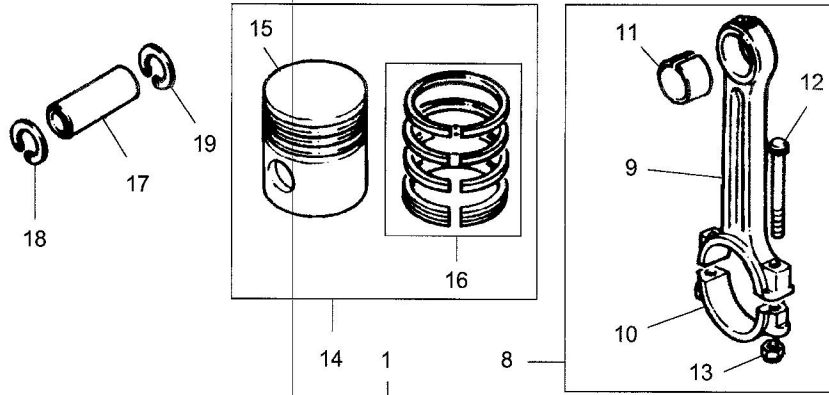
↳ U150873J → U150872J

ACHK0020

Item	Part No.	References	Qty.	Description	Notes
1	115236010		1	CRANKSHAFT KIT	
2	—	⇒ 115236010	1	CRANKSHAFT	
3	—115276180		1	CRANKSHAFT GEAR	
4	—030509020		1	KEY	
5	—030300816		1	PIN	
6	—198586010	Ⓢ	1	MAIN BEARING KIT	(A)
7	—198586020	Ⓢ	1	BIG END BEARING KIT	(A)
8	115026191		3	CON ROD ASSEMBLY	
9	—	⇒ 115026191	1	ROD	
10	—	⇒ 115026191	1	CAP	
11	—198517120		1	SMALL END BUSH	
12	—115176150		2	CON ROD BOLT	
13	—020109075		2	CON ROD NUT	
14	115017170	Ⓢ	3	PISTON AND RING KIT	
15	—	⇒ 115017170	1	PISTON	(B)
16	—115107201		1	PISTON RING KIT	(B)
17	—115326231		1	GUDGEON PIN	
18	—036500021		1	CIRCLIP	
19	—036500021		1	CIRCLIP	
<b>Service Options</b>					
6	198586014	⅘ (-)0.25MM	1	MAIN BEARING KIT - U/S	(A)
6	198586017	⅘ (-)0.50MM	1	MAIN BEARING KIT - U/S	(A)
7	198586024	⅘ (-)0.25MM	1	BIG END BRG KIT - U/S	(A)
7	198586027	⅘ (-)0.50MM	1	BIG END BRG KIT - U/S	(A)
14	115016764	⅘ (+)0.5MM	3	PISTON AND RING KIT	(C,B)
14	115016767	⅘ (+)1.0MM	3	PISTON AND RING KIT	(C,B)
<b>Footnotes</b>					
(A)	BEARINGS ARE PRE-FINISHED				
(B)	4MM OIL RING				
(C)	REPLACE IN ENGINE SETS ONLY				

↳ U150873J

ACHK0020



## Crankshaft, Pistons &amp; Connecting Rods

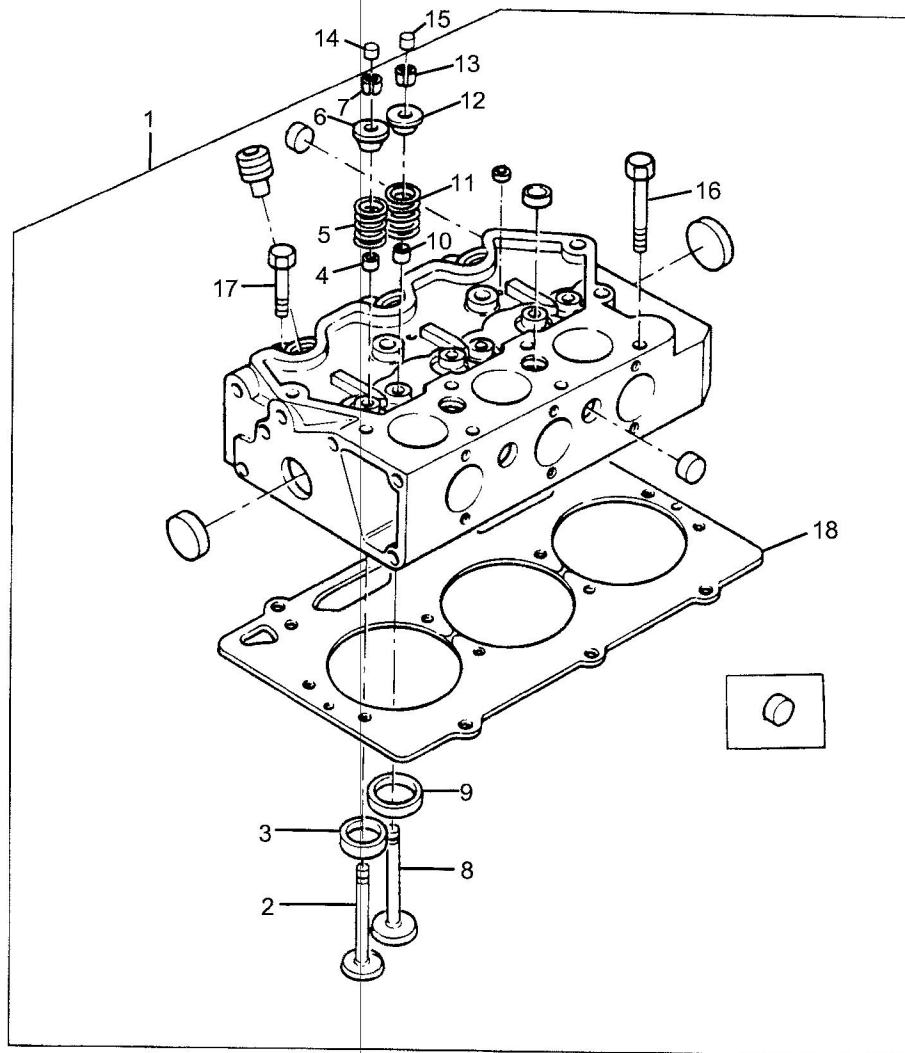
Plate A

↳ U150873J

ACHK0020

Item	Part No.	References	Qty.	Description	Notes
1	115236010		1	CRANKSHAFT KIT	
2		⇒ 115236010	1	CRANKSHAFT	
3	115276180		1	CRANKSHAFT GEAR	
4	030509020		1	KEY	
5	030300816		1	PIN	
6	198586010	Ⓢ	1	MAIN BEARING KIT	(A)
7	198586020	Ⓢ	1	BIG END BEARING KIT	(A)
8	115026191		3	CON ROD ASSEMBLY	
9		⇒ 115026191	1	ROD	
10		⇒ 115026191	1	CAP	
11	198517120		1	SMALL END BUSH	
12	115176150		2	CON ROD BOLT	
13	020109075		2	CON ROD NUT	
14	115017500	Ⓢ	3	PISTON AND RING KIT	
15		⇒ 115017500	1	PISTON	(B)
16	115107980		1	PISTON RING KIT	(B)
17	115326231		1	GUDGEON PIN	
18	036500021		1	CIRCLIP	
19	036500021		1	CIRCLIP	
<b>Service Options</b>					
6	198586014	≡ (-)0.25MM	1	MAIN BEARING KIT - U/S	(A)
6	198586017	≡ (-)0.50MM	1	MAIN BEARING KIT - U/S	(A)
7	198586024	≡ (-)0.25MM	1	BIG END BRG KIT - U/S	(A)
7	198586027	≡ (-)0.50MM	1	BIG END BRG KIT - U/S	(A)
14	115016764	≡ (+)0.5MM	3	PISTON AND RING KIT	(C,D)
14	115016767	≡ (+)1.0MM	3	PISTON AND RING KIT	(C,D)
16	115107204	≡ (+)0.5MM	1	PISTON RING KIT	(C,D)
16	115107206	≡ (+)1.0MM	1	PISTON RING KIT	(C,D)
<b>Footnotes</b>					
(A)	BEARINGS ARE PRE-FINISHED				
(B)	3MM OIL RING				
(C)	REPLACE IN ENGINE SETS ONLY				
(D)	4MM OIL RING				

ACHK0020





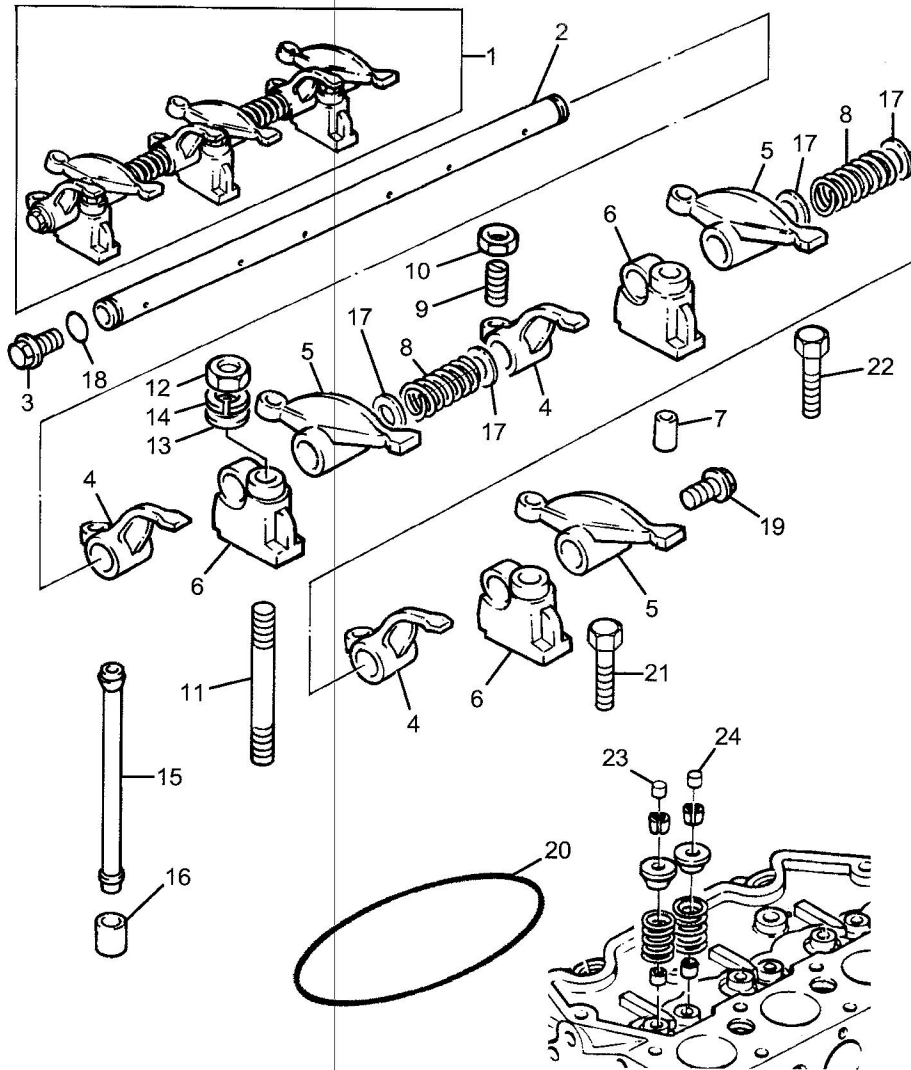
<b>Cylinder Head</b>	<b>Plate A</b>
<b>ACHK0020</b>	

Item	Part No.	References	Qty.	Description	Notes
1	111016842	●∞ 111016841	1	CYLINDER HEAD ASSEMBLY	
2	—120166240		3	INTAKE VALVE	
3	—110136270		3	INSERT	
4	—120406070		3	SEAL - VALVE STEM	(A)
5	—198216700		3	VALVE SPRING	
6	—120186080		3	CAP	
7	—120226070		6	VALVE COLLET	
8	—120176250		3	EXHAUST VALVE	
9	—110136280		3	INSERT	
10	—120406050		3	SEAL - VALVE STEM	(B)
11	—198216700		3	VALVE SPRING	
12	—120186080		3	CAP	
13	—120226070		6	VALVE COLLET	
14	120216041	☐ a.	3	VALVE SPRING CAP	
15	120216041	☐ a.	3	VALVE SPRING CAP	
16	111136440	●∞ 111136230	11	SCREW	(C)
17	111136450	●∞ 111136240	3	SCREW	(C)
18	111147280	●∞ 111147270 ⊕ (+)1.3MM	1	GASKET - CYLINDER HEAD	(C)

<b>History</b>					
<b>a.</b>					
14	120216040		3	VALVE SPRING CAP	(C)
15	120216040		3	VALVE SPRING CAP	(C)
<b>b. General History Section</b>					
	—064200018		6	PLUG	
	—064200015		2	PLUG	
	—064200030		2	PLUG	

<b>Footnotes</b>	
(A)	INLET
(B)	EXHAUST
(C)	NOT INCLUDED IN REF.1

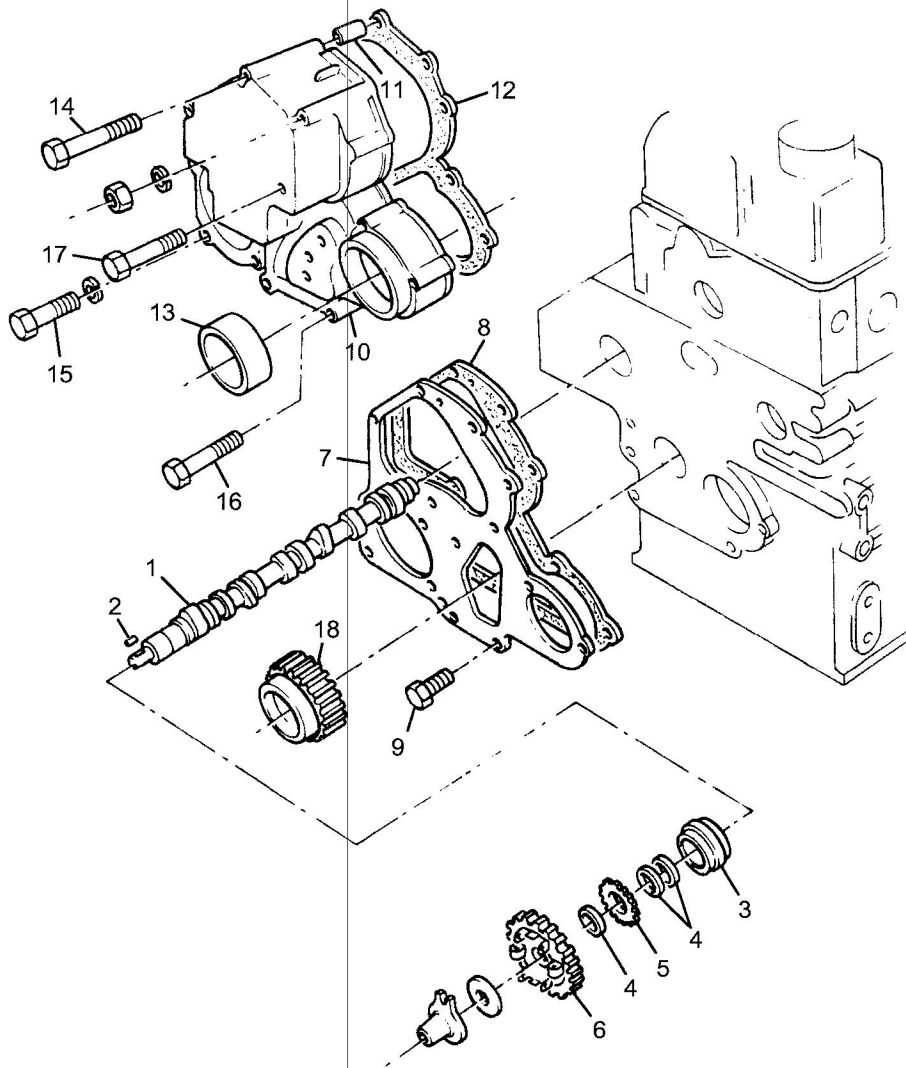
ACHK0020



<b>Rocker Shaft</b>	<b>Plate A</b>
	<b>ACHK0020</b>

Item	Part No.	References	Qty.	Description	Notes
1	120036690	<ul style="list-style-type: none"> <li>● 120036361</li> <li>● 120336010</li> </ul>	1	ROCKER SHAFT	
2	—120316171		1	ROCKER SHAFT	
3	—064609006		2	PLUG	
4	—120356210	<ul style="list-style-type: none"> <li>↙</li> <li>● 120356120</li> <li>● 120366162</li> </ul>	3	ROCKER ARM ASSEMBLY	
5	—120356200	<ul style="list-style-type: none"> <li>↗</li> <li>● 120356110</li> <li>● 120366152</li> </ul>	3	ROCKER ARM ASSEMBLY	
6	—120346170		3	BRACKET	
7	—030300325		1	PIN	
8	—198216780		2	ROCKER SHAFT SPRING	
9	—199486220		6	ADJUSTING SCREW	
10	—020109076		6	NUT	
17	—199280280		4	WASHER	
11	012109177		3	STUD	
12	023100008		3	NUT	
15	120456201		6	PUSHROD	
16	120116160	<ul style="list-style-type: none"> <li>● 120116100</li> </ul>	6	TAPPET	

ACHK0020



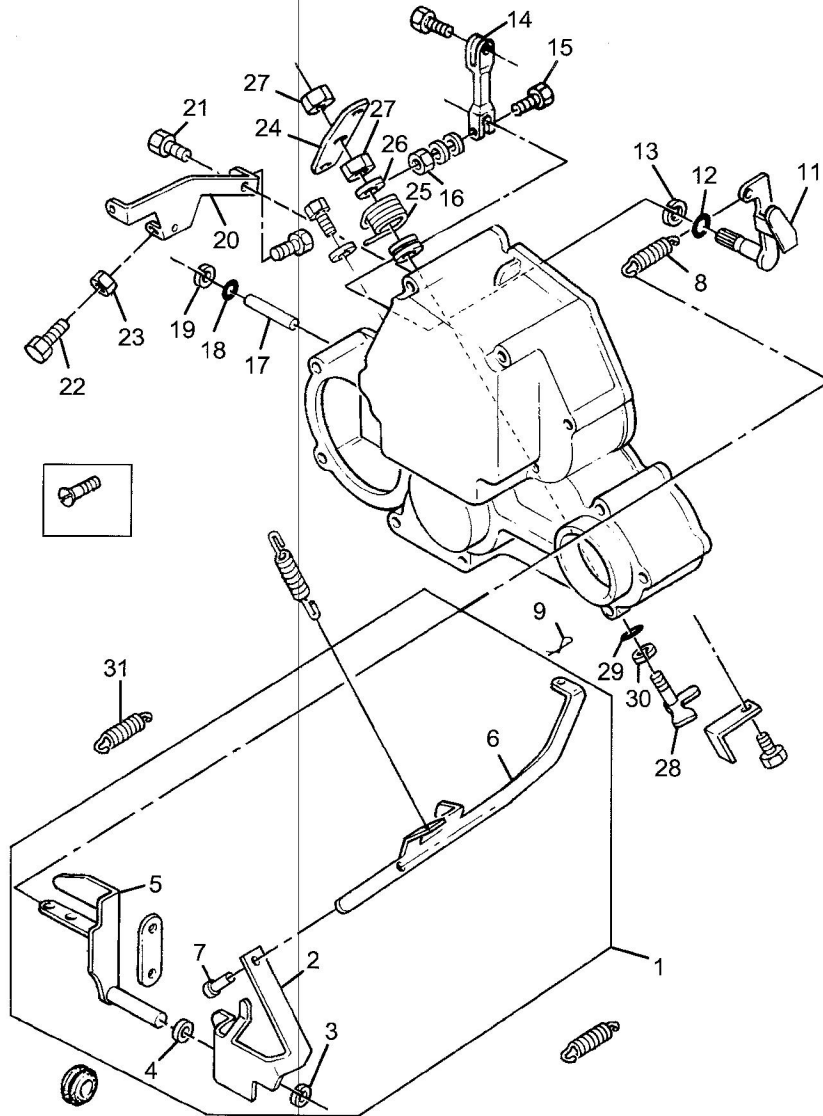
<b>Timing Gear &amp; Camshaft</b>	<b>Plate A</b>
<b>ACHK0020</b>	

Item	Part No.	References	Qty.	Description	Notes
1	120026360	● 120026140	1	CAMSHAFT	
2	—034100508		1	KEY	
3	—040109059		1	BALL BEARING	
4	—199216230		3	SPACER	
5	—120736081		1	CAMSHAFT GEAR	
6	—120016001	☐ h.	1	CAMSHAFT GEAR	
7	165166181	● 165166180	1	PLATE	
8	U65996570	☐ a. ☐ b. ☐ g.	1	GASKET	
9	011140612		3	SCREW	
10	165106231	● 165106230	1	TIMING CASE	
11	—030300414		1	PIN	
12	165996580	☐ b. ☐ f.	1	GASKET - TIMING CASE	
13	198636090		1	SEAL - FRONT END OIL	
14	011310680	☐ c.	2	SCREW	
15	011300860		4	SCREW	
16	011310640	☐ e.	5	SCREW	
17	011310660	☐ d.	4	SCREW	
18			1	IDLER GEAR	(A)

<b>History</b>					
<b>a.</b>					
8	165996570		1	GASKET	
<b>b.</b>					
8	165996520		1	GASKET - TIMING CASE	
12	165996530		1	GASKET - TIMING CASE	
<b>c.</b>					
14	011300680		2	SCREW	
<b>d.</b>					
17	011300660		4	SCREW	
<b>e.</b>					
16	011300640		5	SCREW	
<b>f.</b>					
12	165996310		1	GASKET - TIMING CASE	
<b>g.</b>					
8	165996300		1	GASKET - TIMING CASE	
<b>h. General History Section</b>					
6	—120016040		1	CAMSHAFT GEAR	(B)
	—125256120		1	TAPPET	

<b>Footnotes</b>	
(A)	SEE LUB OIL PUMP SECTION
(B)	USED ONLY WITH 120026140.

ACHK0020



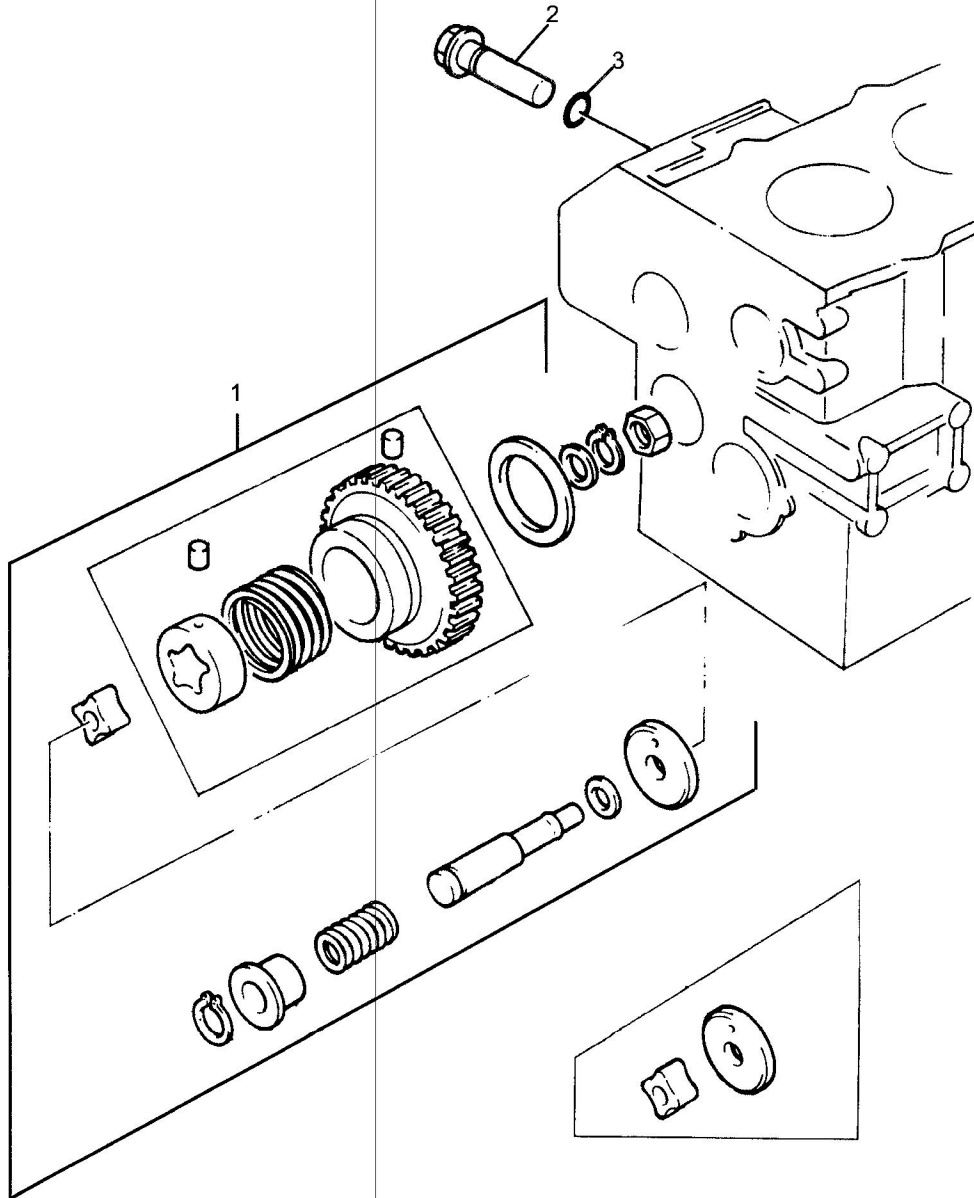
ACHK0020

Item	Part No.	References	Qty.	Description	Notes
1	125046260	→ 01/11/89 ☐ e.	1	LEVER	
2			1	LEVER	
3	036800008		1	SNAP RING	
4	026200010		1	WASHER	
5	125406071		1	LEVER	
6			1	LINK	
7			1	PIN	
8	198217220	● 198217110	1	SPRING	
9	031100004		1	PIN	
10	198217820	☐ a.	1	SPRING	
11	125156170		1	ARM	
12	052100070		1	SEAL - O RING	
13	036800008		1	SNAP RING	
14	125416020	● 225416210	1	LEVER	
15	010110630		1	SCREW	
16	023100006		1	NUT	
17	125116131	☐ d. ☐ d.	1	SHAFT	
18	052100030		2	SEAL - O RING	
19	036800005		1	CIRCLIP	
20	125976120		1	STAY	
21	010109600	☐ b. ☐ c.	2	SCREW	
22	010109264		2	SCREW	
23	023100006		2	NUT	
24	125176071		1	LEVER	
25	198216760		1	STOP SPRING	
26	026200008		1	WASHER	
27	020700008	● 020300008	2	NUT	
28	125156180		1	ARM	
29	052100050		1	SEAL - O RING	
30	036800006		1	CIRCLIP	
31	198217310	→ 01/11/89	1	SPRING	

## History

<b>a.</b>					
10	198216731		1	SPRING	
<b>b.</b>					
21	011310616		2	SCREW	
<b>c.</b>					
21	011300616		2	SCREW	
<b>d.</b>					
17	125116130		1	SHAFT	
17	052100030		1	SEAL - O RING	
<b>e. General History Section</b>					
1	125046160	→ 31/10/89	1	LEVER	

ACHK0020



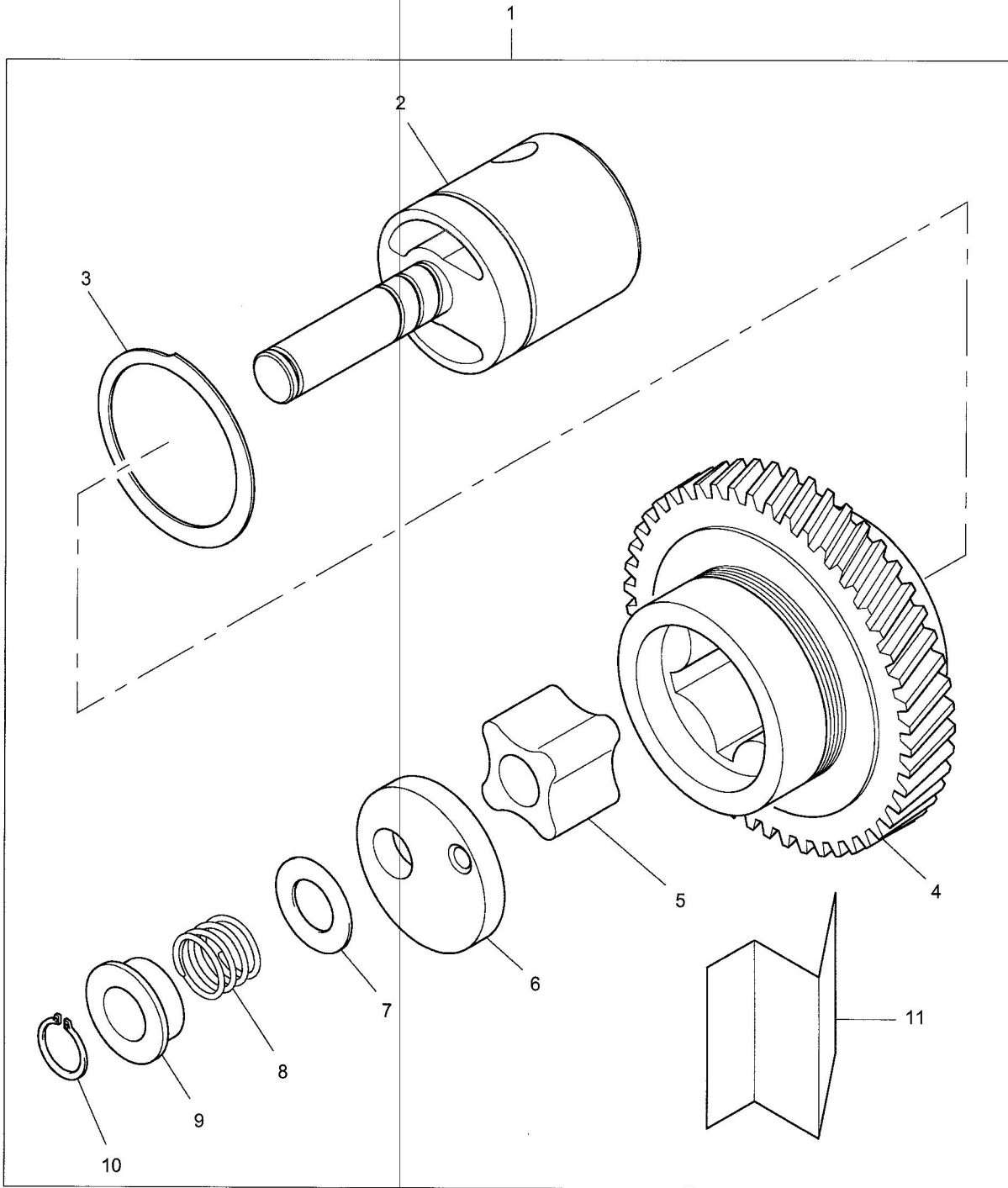


<b>Lubricating Oil Pump &amp; Delivery Housing</b>	<b>Plate A</b>
	<b>ACHK0020</b>

Item	Part No.	References	Qty.	Description	Notes
1			1	OIL PUMP IDLER GEAR	(A)
2	140036220		1	RELIEF VALVE	
3	052100150		1	SEAL - O RING	

<b>Footnotes</b>					
(A)	REFER TO U5MK8265				

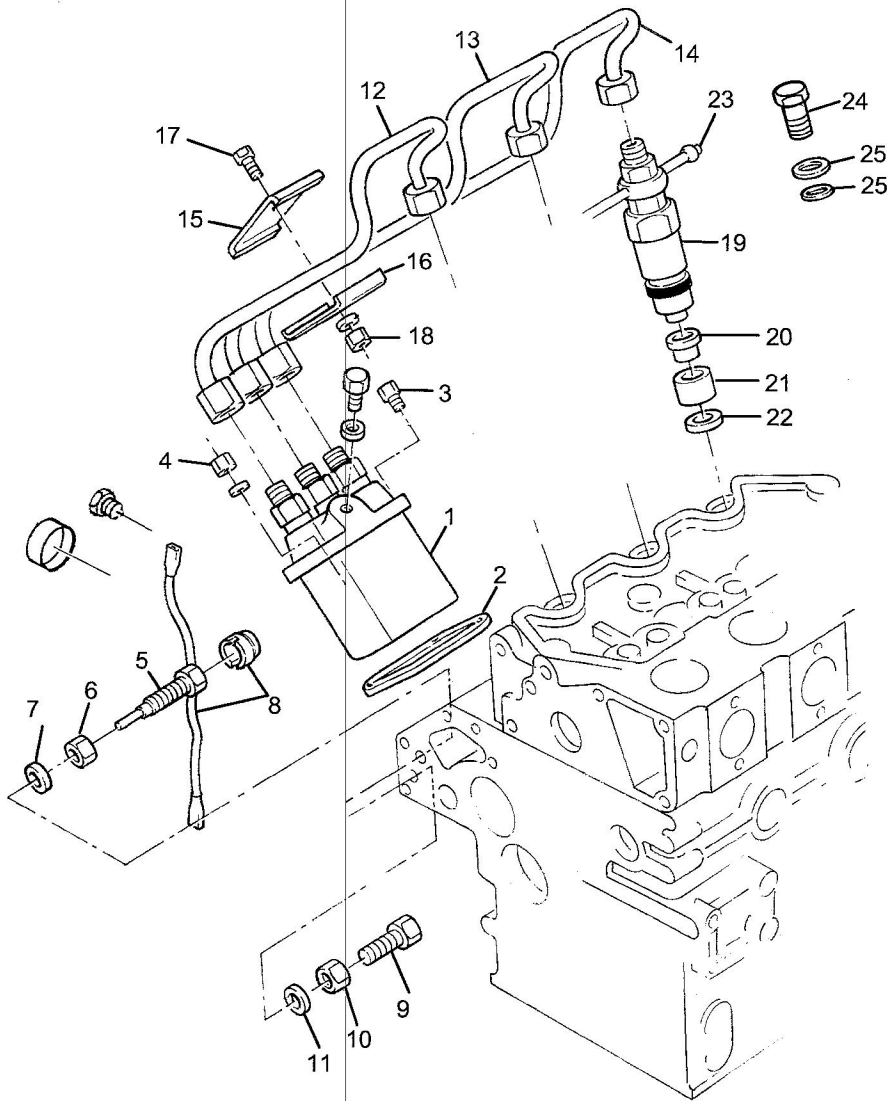
U5MK8265.



<b>Oil Pump</b>	<b>Plate A</b>
	<b>U5MK8265.</b>

Item	Part No.	References	Qty.	Description	Notes
1	U5MK8265		1	OIL PUMP IDLER GEAR	
2	—	⇒ U5MK8265	1	SHAFT	
3	—199266180		1	WASHER	
4	—	⇒ U5MK8265	1	OIL PUMP IDLER GEAR	
5	—	⇒ U5MK8265	1	ROTOR	
6	—140116140		1	COVER	
7	—	Ⓢ	1	SHIM	
8	—198216720		1	SPRING	
9	—199236540		1	COLLAR	
10	—036800010		1	CIRCLIP	
11	—		1	LEAFLET	
<b>Service Options</b>					
7	199286150	⅔ (+)0.10MM	1	SHIM	
7	199286160	⅔ (+)0.15MM	1	SHIM	
7	199286170	⅔ (+)0.20MM	1	SHIM	
7	199286180	⅔ (+)0.50MM	1	SHIM	

AFHK2094

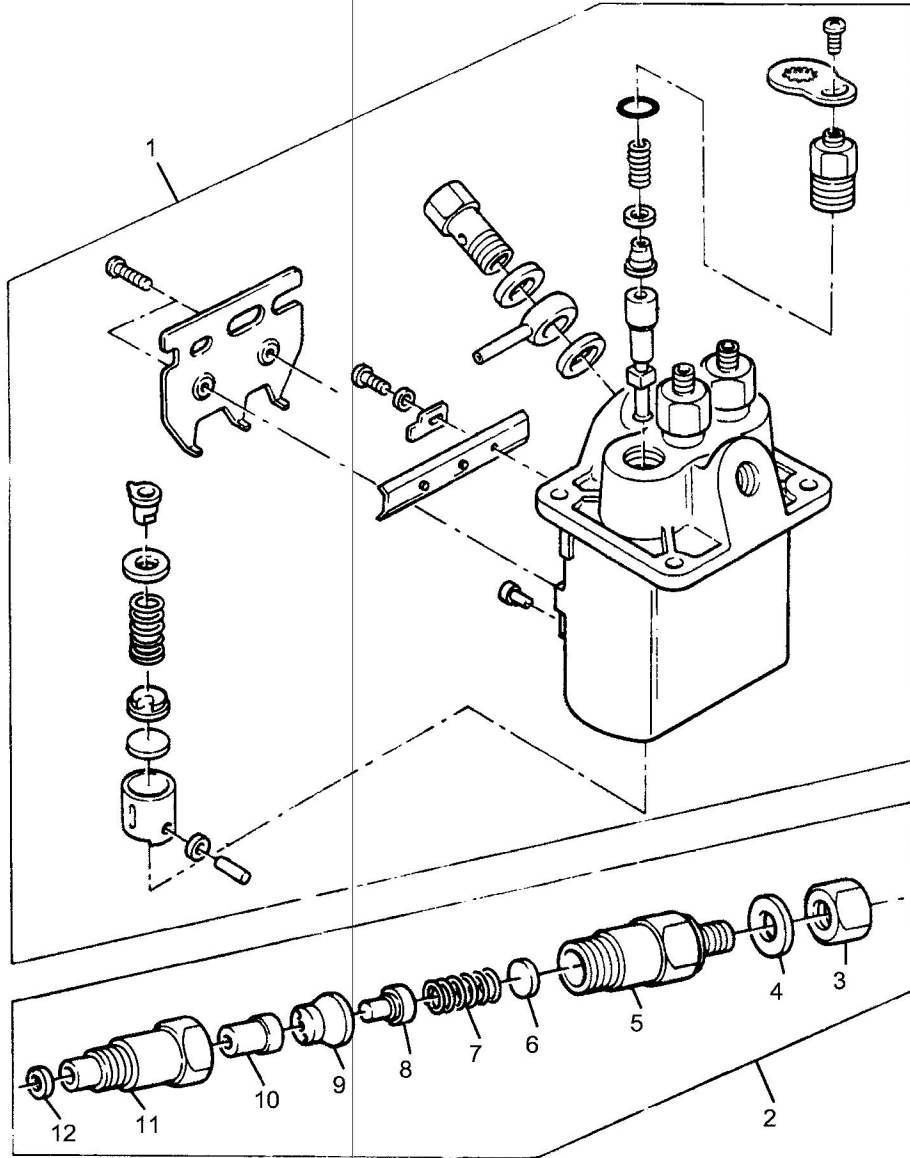


<b>Fuel Injection Pump</b>	<b>Plate A</b>
<b>AFHK2094</b>	











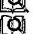


























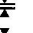
Item	Part No.	References	Qty.	Description	Notes
1	131017351		1	FUEL INJECTION PUMP	(A)
2		S	1	SHIM	(B)
3	011310620		2	SCREW	
4	023100006		2	NUT	
5	131046350		1	ANTI-TAMPER CAP	
6	023109002		1	NUT	
7	025100010		1	WASHER	
8	198236030		1	WIRE	
9	010109271		1	SCREW	
10	023109002		1	NUT	
11	025100010		1	WASHER	
12	131506921	☐ 1	1	FUEL INJECTION PIPE	
13	131506931	☐ 2	1	FUEL INJECTION PIPE	
14	131506941	☐ 3	1	FUEL INJECTION PIPE	
15	199106021		2	CLAMP	
16	199106021		2	CLAMP	
17	010100625		2	SCREW	
18	020100006		2	NUT	
19	131406330		3	INJECTOR	(A)
20	111346020		3	CAP	
21	111316230		3	INSERT	
22	198996050		3	INJECTOR WASHER	
23	131606490		1	PIPE - FUEL	
24	140148030		1	BOLT	
25	025100006		2	WASHER	
<b>Service Options</b>					
2	131437590		1	SHIM	(C)
2	131437830		1	SHIM	(D)
2	131437600		1	SHIM	(E)
2	131437840		1	SHIM	(F)
2	131437610		1	SHIM	(G)
2	131437620		1	SHIM	(H)
2	131437630		1	SHIM	(I)

<b>Footnotes</b>	
(A)	SEE FOLLOWING PARTS LIST FOR SERVICE COMPONENTS
(B)	EMISSIONS CRITICAL COMPONENT - TO ENSURE CORRECT ENGINE TIMING RETAIN ORIGINAL SHIM DETAILS FOR EXACT REPLACEMENTS.
(C)	THICKNESS - 0.2MM - WITH BEAD
(D)	THICKNESS - 0.25MM - WITH BEAD
(E)	THICKNESS - 0.3MM - WITH BEAD
(F)	THICKNESS - 0.35MM - WITH BEAD
(G)	THICKNESS - 0.4MM - WITH BEAD
(H)	THICKNESS - 0.5MM - WITH BEAD
(I)	THICKNESS - 0.5MM - WITHOUT BEAD

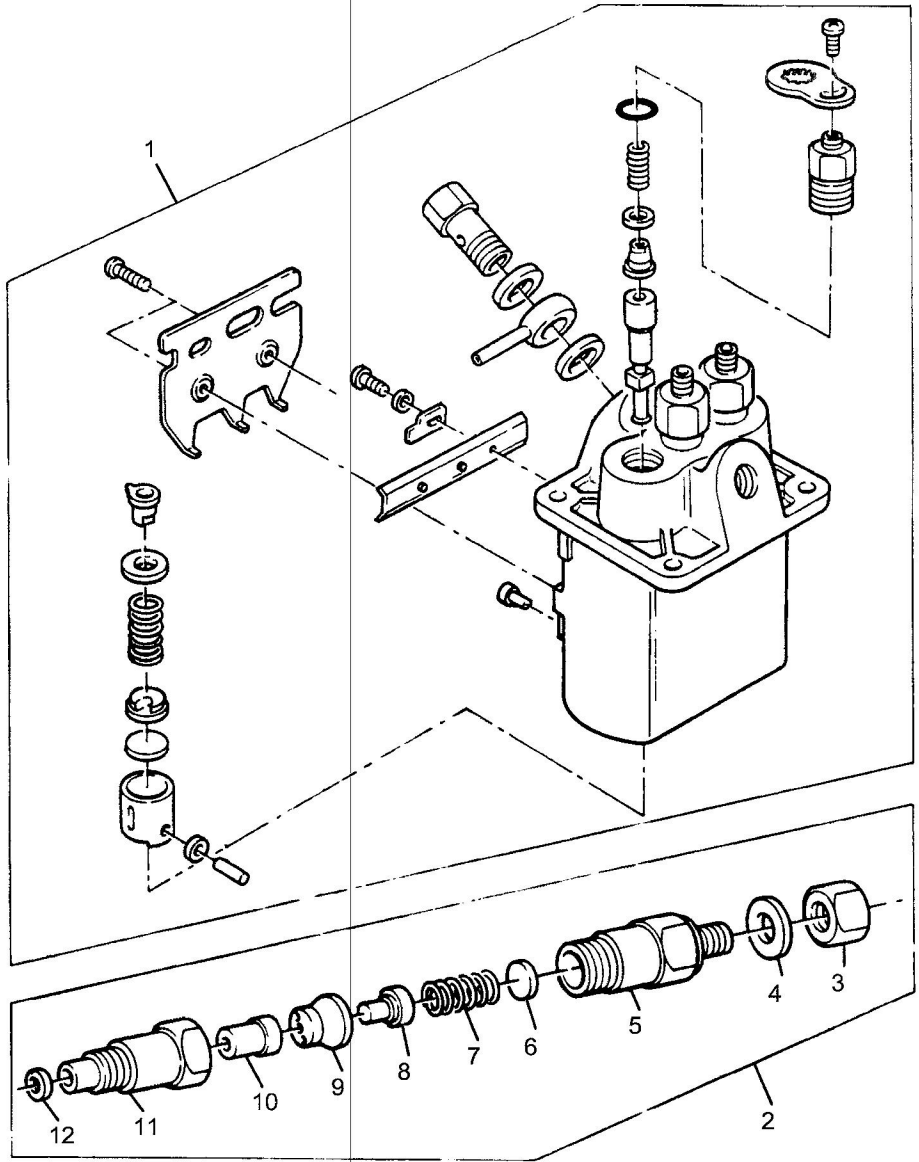
AFHK2094



AFHK2094

Item	Part No.	References	Qty.	Description	Notes
1	131017351	 a.	1	FUEL INJECTION PUMP	
2	131406330		3	INJECTOR	
3	131446008		1	NUT	
4	131426120		1	WASHER	
5	131446054		1	VALVE BODY	
6		 b.	1	INJECTOR WASHER	
		 b.			
		 b.			
		 b.			
		 b.			
		 b.			
		 b.			
		 b.			
		 b.			
		 b.			
		 b.			
		 b.			
		 b.			
		 b.			
		 b.			
7	131446011		1	SPRING	
8	131446012		1	PIN	
9	131446058	 131446013	1	SPACER	
10	131416140		1	INJECTOR NOZZLE	
11	131446064	 131446042	1	NUT	
12	131426010	 131426130	1	SEAL - INJECTOR	
<b>Service Options</b>					
6	131436540	 (+)1.00MM	1	WASHER	
6	131436550	 (+)1.05MM	1	WASHER	
6	131436560	 (+)1.10MM	1	WASHER	
6	131436570	 (+)1.15MM	1	WASHER	
6	131436580	 (+)1.20MM	1	WASHER	
6	131436590	 (+)1.25MM	1	WASHER	
6	131436600	 (+)1.30MM	1	WASHER	
6	131436610	 (+)1.35MM	1	WASHER	
6	131436620	 (+)1.40MM	1	WASHER	
6	131436630	 (+)1.45MM	1	WASHER	
6	131436640	 (+)1.50MM	1	WASHER	
6	131436650	 (+)1.55MM	1	WASHER	
6	131436660	 (+)1.60MM	1	WASHER	
6	131436670	 (+)1.65MM	1	WASHER	
6	131436680	 (+)1.70MM	1	WASHER	
6	131436690	 (+)1.75MM	1	WASHER	
6	131436700	 (+)1.80MM	1	WASHER	
6	131436710	 (+)1.85MM	1	WASHER	
6	131436720	 (+)1.90MM	1	WASHER	

AFHK2094





AFHK2094

Item	Part No.	References	Qty.	Description	Notes
6	131436730	$\frac{3}{8}$ (+)1.95MM	1	WASHER	

**History**

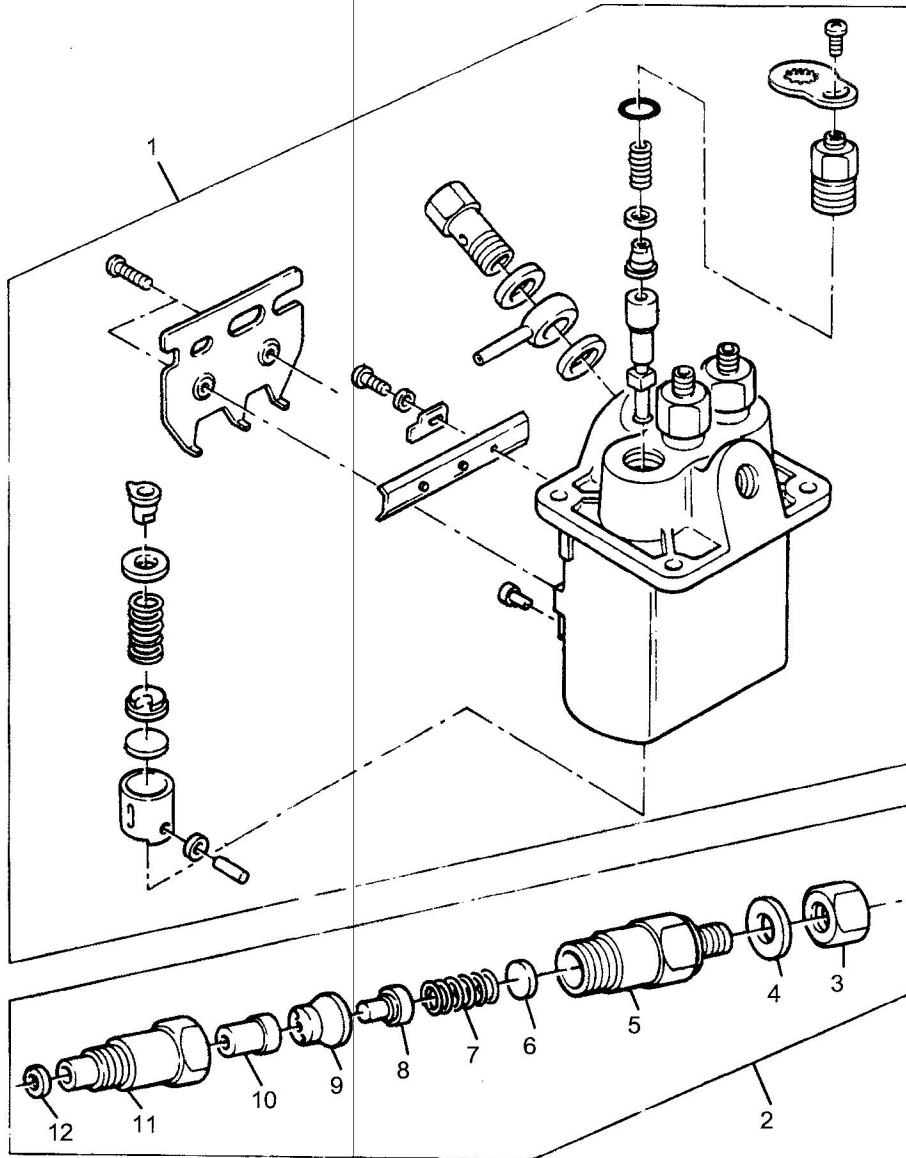
**a.**

1 131017350 1 FUEL INJECTION PUMP

**b. General History Section**

—	131116400		3	PLUNGER
—	131156160		3	VALVE
—	131176430		3	SPRING
—	131176440		3	SPRING
—	131136320		2	SCREW
—	131136330		3	SCREW
—	131256120		3	TAPPET
—	131236190		1	BOLT
—	131246130		1	NIPPLE
—	131186050	● 131186100	3	WASHER
—	131196120		3	HOLDER
—	131226170		3	O RING
—	131296633	$\frac{3}{8}$ (+)2.40MM	X	PLATE
—	131296634	$\frac{3}{8}$ (+)2.45MM	X	PLATE
—	131296635	$\frac{3}{8}$ (+)2.50MM	X	PLATE
—	131296623	$\frac{3}{8}$ (+)1.90MM	X	PLATE
—	131296624	$\frac{3}{8}$ (+)1.95MM	X	PLATE
—	131296625	$\frac{3}{8}$ (+)2.00MM	X	PLATE
—	131296626	$\frac{3}{8}$ (+)2.05MM	X	PLATE
—	131296627	$\frac{3}{8}$ (+)2.10MM	X	PLATE
—	131296628	$\frac{3}{8}$ (+)2.15MM	X	PLATE
—	131296629	$\frac{3}{8}$ (+)2.20MM	X	PLATE
—	131296630	$\frac{3}{8}$ (+)2.25MM	X	PLATE
—	131296631	$\frac{3}{8}$ (+)2.30MM	X	PLATE
—	131296632	$\frac{3}{8}$ (+)2.35MM	X	PLATE
—	131296620		3	SEAT
—	131296621		3	SEAT
—	131296622	$\frac{3}{8}$ (+)1.85MM	X	PLATE
—			1	HOUSING
—	131296950	● 131296951	3	SLEEVE
—	131296636		1	RACK
—	131296650		1	BRACKET
—	131296651		3	PIN
—	131296662		3	PLATE
6	— 131436540	$\frac{3}{8}$ (+)1.00MM	X	WASHER
6	— 131436550	$\frac{3}{8}$ (+)1.05MM	X	WASHER
—	131426180		2	WASHER
6	— 131436670	$\frac{3}{8}$ (+)1.65MM	X	WASHER
6	— 131436680	$\frac{3}{8}$ (+)1.70MM	X	WASHER
6	— 131436690	$\frac{3}{8}$ (+)1.75MM	X	WASHER
6	— 131436700	$\frac{3}{8}$ (+)1.80MM	X	WASHER
6	— 131436710	$\frac{3}{8}$ (+)1.85MM	X	WASHER

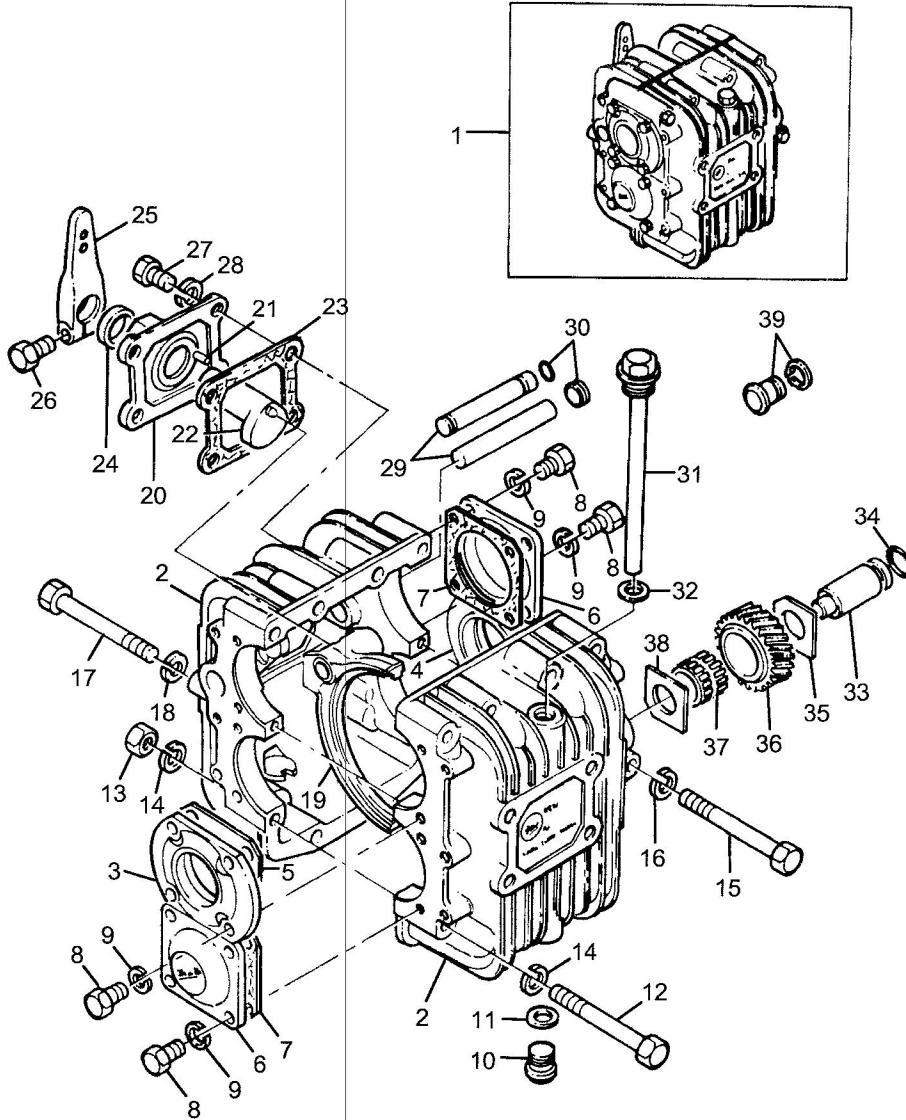
AFHK2094



<b>Fuel Injection Equipment (Diesel)</b>	<b>Plate B</b>
	<b>AFHK2094</b>

Item	Part No.	References	Qty.	Description	Notes
6	131436720	$\frac{3}{16}$ (+)1.90MM	X	WASHER	
6	131436730	$\frac{3}{16}$ (+)1.95MM	X	WASHER	
6	131436560	$\frac{3}{16}$ (+)1.10MM	X	WASHER	
6	131436570	$\frac{3}{16}$ (+)1.15MM	X	WASHER	
6	131436580	$\frac{3}{16}$ (+)1.20MM	X	WASHER	
6	131436590	$\frac{3}{16}$ (+)1.25MM	X	WASHER	
6	131436600	$\frac{3}{16}$ (+)1.30MM	X	WASHER	
6	131436610	$\frac{3}{16}$ (+)1.35MM	X	WASHER	
6	131436620	$\frac{3}{16}$ (+)1.40MM	X	WASHER	
6	131436630	$\frac{3}{16}$ (+)1.45MM	X	WASHER	
6	131436640	$\frac{3}{16}$ (+)1.50MM	X	WASHER	
6	131436650	$\frac{3}{16}$ (+)1.55MM	X	WASHER	
6	131436660	$\frac{3}{16}$ (+)1.60MM	X	WASHER	

BDHK0479



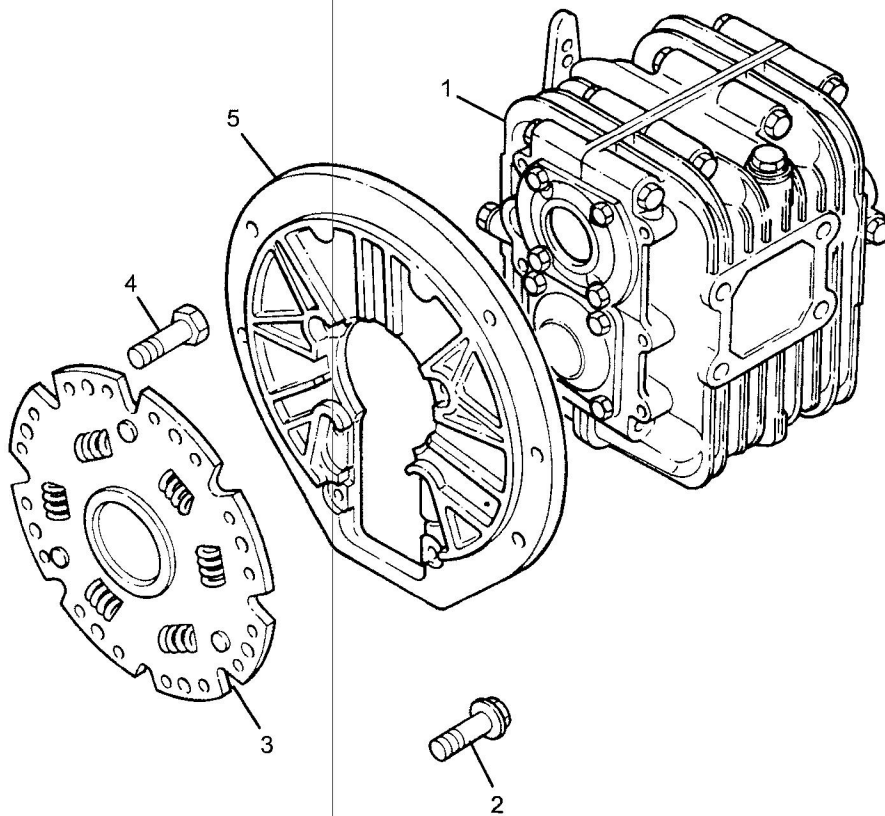
## PTO Clutch &amp; Gearbox

Plate B

BDHK0479

Item	Part No.	References	Qty.	Description	Notes
1	170106010		1	GEARBOX	
2	—26278067		1	HOUSING	
3	—26278068		1	SHIELD	
4	—26278069		1	SHIELD	
5	—26278083		2	GASKET	
6	—26278070		2	COVER	
7	—26278083		2	GASKET	
8	—26278005		8	SETSCREW	
9	—26278071		8	WASHER	
10	—26278017		1	PLUG	
11	—26278076		1	RING	
12	—26278018		4	SETSCREW	
13	—26278019		4	NUT	
14	—26278071		4	WASHER	
15	—26278018		4	SETSCREW	
16	—26278071		4	WASHER	
17	—26278018		2	SETSCREW	
18	—26278071		2	WASHER	
19	—26278073		1	FORK	
20	—26278072		1	COVER	
21	—26278010		1	PIN	
22	—26278011		1	CAM	
23	—26278026		1	GASKET	
24	—26278008		1	SEAL	
25	—26278006		1	LEVER	
26	—26278007		1	SETSCREW	
27	—26278005		4	SETSCREW	
28	—26278071		4	WASHER	
29	—26278074		1	SHAFT	
30	—26278075		1	SEAL - O RING	
31	—26278077		1	DIPSTICK	
32	—26278076		1	RING	
33	—26278079		1	SHAFT	
34	—26278078		1	CIRCLIP	
35	—26278080		1	PLATE	
36	—26278081		1	GEARBOX GEAR	
37	—26278082		1	CAGE	
38	—26278080		1	PLATE	
39	—26278078		1	CIRCLIP	

BDHK0479

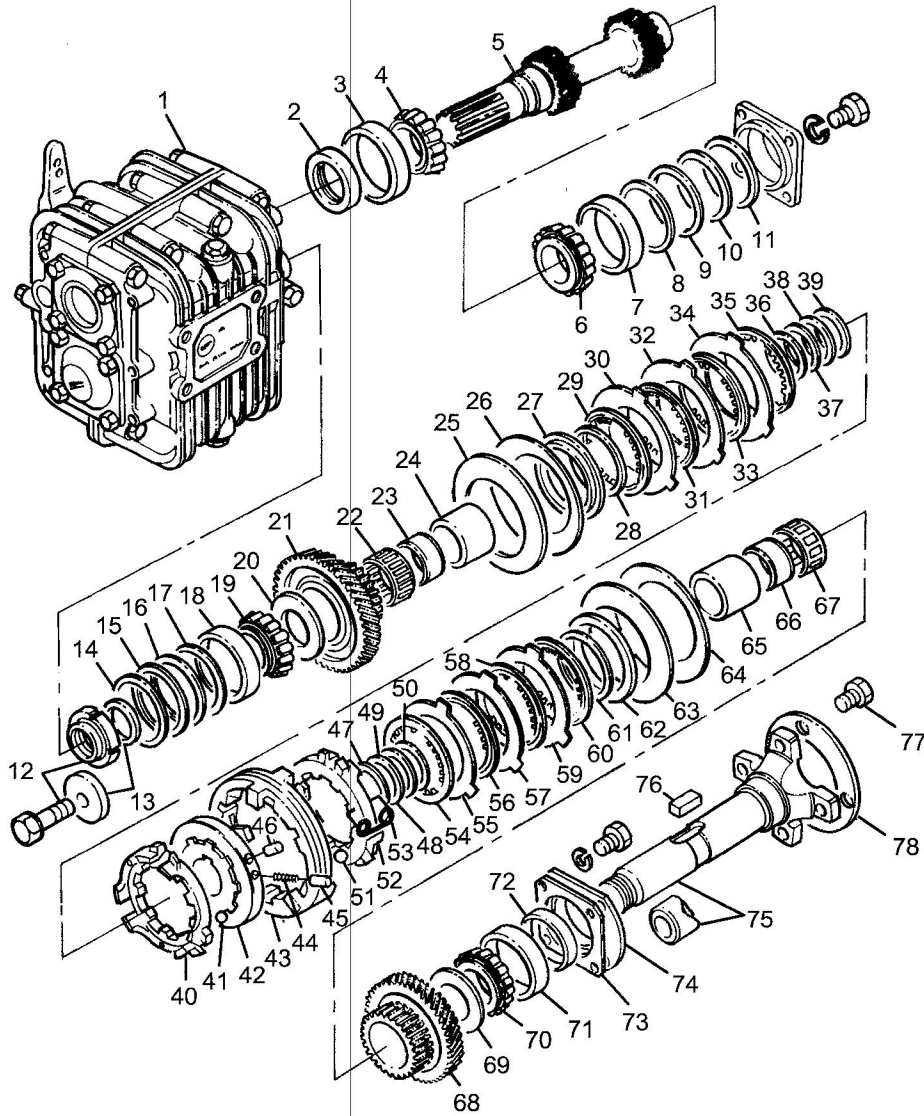


<b>PTO Clutch &amp; Gearbox</b>	<b>Plate A</b>
	<b>BDHK0479</b>

Item	Part No.	References	Qty.	Description	Notes
1	170106010		1	GEARBOX	(A)
2	2314J003		6	SCREW	
3	26278120		1	PLATE	
4	2311D036		8	SCREW	
5	26278119		1	FLANGE	

<b>Footnotes</b>					
(A)	SEE FOLLOWING PARTS LIST FOR SERVICE COMPONENTS				

BDHK0479

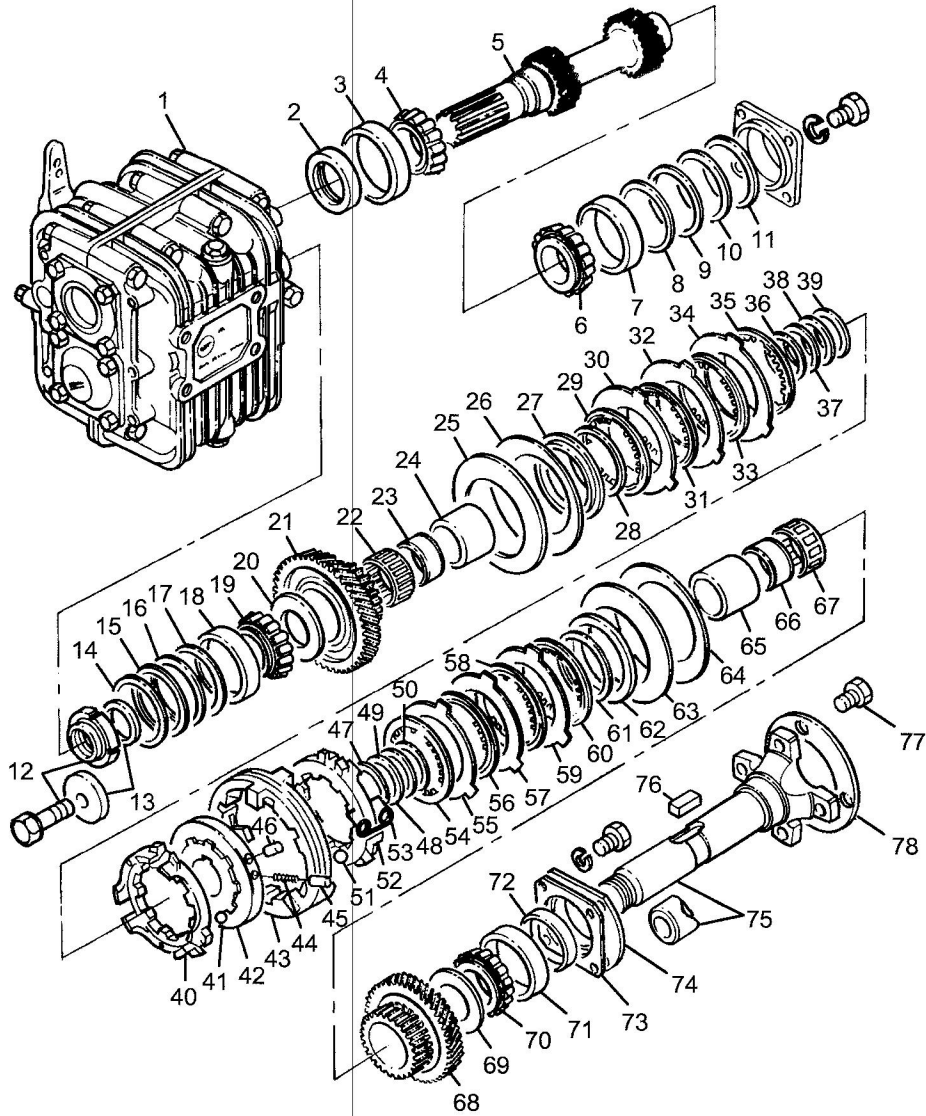




BDHK0479

Item	Part No.	References	Qty.	Description	Notes
1	170106010		1	GEARBOX	
2	—26278084		1	RING	
3	—26278086		1	BALL BEARING	
4	—26278087		1	BALL BEARING	
5	—26278088		1	SHAFT	
6	—26278087		1	BALL BEARING	
7	—26278086		1	BALL BEARING	
8	—26278089		1	SHIM	
9	—26278090		1	SHIM	
10	—26278091		1	SHIM	
11	—26278092		1	SHIM	
12	—26278093		1	SCREW	
13	—26278094		1	SPACER	
14	—26278089		1	SHIM	
15	—26278090		1	SHIM	
16	—26278091		1	SHIM	
17	—26278092		1	SHIM	
18	—26278086		1	BALL BEARING	
19	—26278087		1	BALL BEARING	
20	—26278095		1	RING	
21	—26278096		1	GEARBOX GEAR	
22	—26278097		1	CAGE	
23	—26278098		1	BUSH	
24	—26278099		1	SPACER	
25	—26278100		1	WASHER	
26	—26278100		1	WASHER	
27	—26278101		1	RING	
28	—26278102		1	CIRCLIP	
29	—26278103		1	DISC	
30	—26278104		1	DISC	
31	—26278103		1	DISC	
32	—26278104		1	DISC	
33	—26278103		1	DISC	
34	—26278104		1	DISC	
35	—26278103		1	DISC	
36	—26278105		1	SHIM	0.4 MM
37	—26278106		1	SHIM	0.5 MM
38	—26278107		1	SHIM	0.6 MM
39	—26278108		1	SHIM	0.7 MM
40	—26278109		1	DISC	
41	—26278110		3	BALL	
42	—26278111		1	SLEEVE	
43	—26278112		1	SLEEVE	
44	—26278113		3	SPRING	
45	—26278114		3	PIN	
46	—26278115		3	PIN	
47	—26278105		1	SHIM	0.4 MM
48	—26278106		1	SHIM	0.5 MM

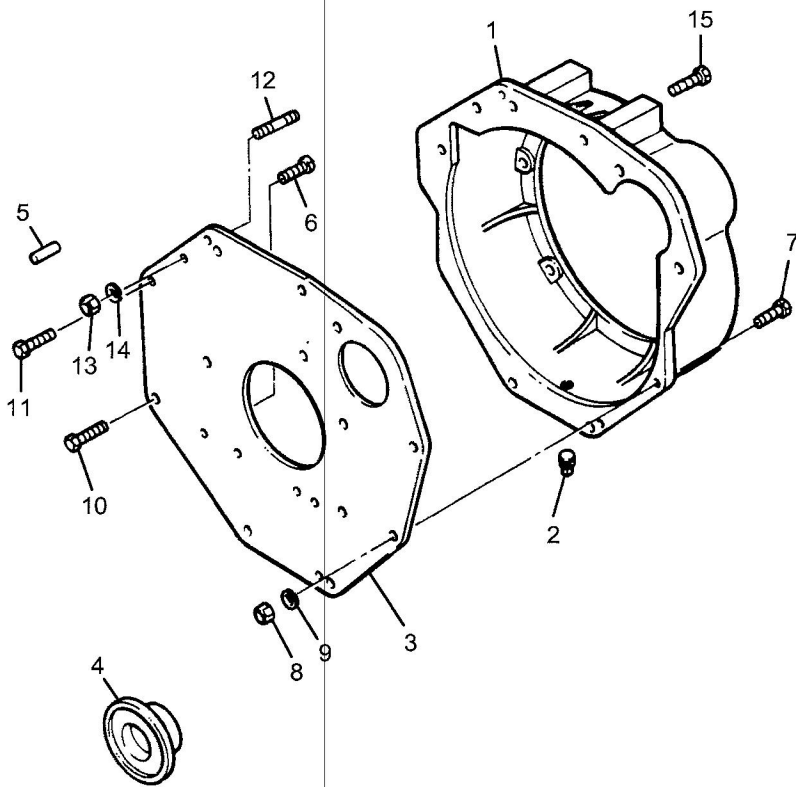
BDHK0479



<b>PTO Clutch &amp; Gearbox</b>	<b>Plate C</b>
	<b>BDHK0479</b>

Item	Part No.	References	Qty.	Description	Notes
49	—26278107		1	SHIM	0.6 MM
50	—26278108		1	SHIM	0.7 MM
51	—26278110		3	BALL	
52	—26278109		1	DISC	
53	—26278063		3	SPRING	
54	—26278103		1	DISC	
55	—26278104		1	DISC	
56	—26278103		1	DISC	
57	—26278104		1	DISC	
58	—26278103		1	DISC	
59	—26278104		1	DISC	
60	—26278103		1	DISC	
61	—26278102		1	CIRCLIP	
62	—26278101		1	RING	
63	—26278100		1	WASHER	
64	—26278100		1	WASHER	
65	—26278099		1	SPACER	
66	—26278098		1	BUSH	
67	—26278097		1	CAGE	
68	—26278116		1	GEARBOX GEAR	
69	—26278095		1	RING	
70	—26278087		1	BALL BEARING	
71	—26278086		1	BALL BEARING	
72	—26278085		1	RING	
73	—26278083		1	GASKET	
74	—26278069		1	SHIELD	
75	—26278117		1	SHAFT	
76	—26278118		2	KEY	

CDHK0757

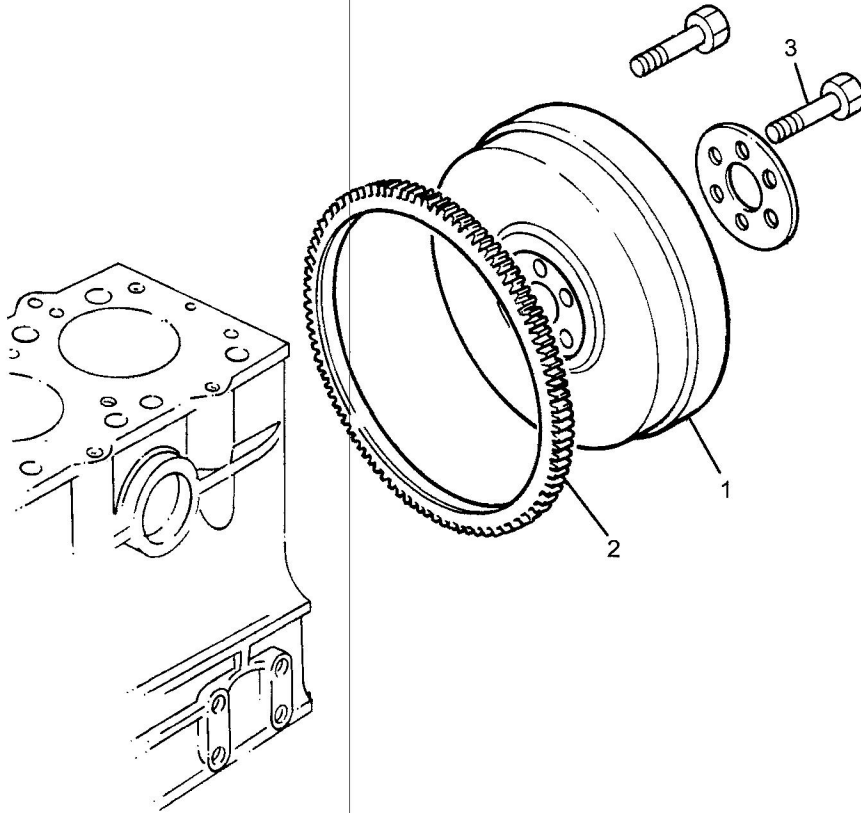


<b>Flywheel Housing</b>	<b>Plate B</b>
	<b>CDHK0757</b>


Item	Part No.	References	Qty.	Description	Notes
1	110446621		1	FLYWHEEL HOUSING	
2	064500010		1	PLUG	
3	110366700		1	PLATE	
4	198636080		1	SEAL - REAR END OIL	(A,B)
5	030501025		1	DOWEL	
6	011311020		8	SCREW	
7	011310825		2	SCREW	
8	023100008	•∞ 020100008	2	NUT	
10	011310816		2	SCREW	
11	011311020		1	SCREW	
12	012111025		1	STUD	
13	020100010		1	NUT	
14	027100010		1	WASHER	
15	011311025	•∞ 011311030	2	SCREW	

<b>Footnotes</b>	
(A)	SEE SERVICE BULLETIN NO.195
(B)	ALSO ORDER WEAR SLEEVE - 29990038

DDHK0822

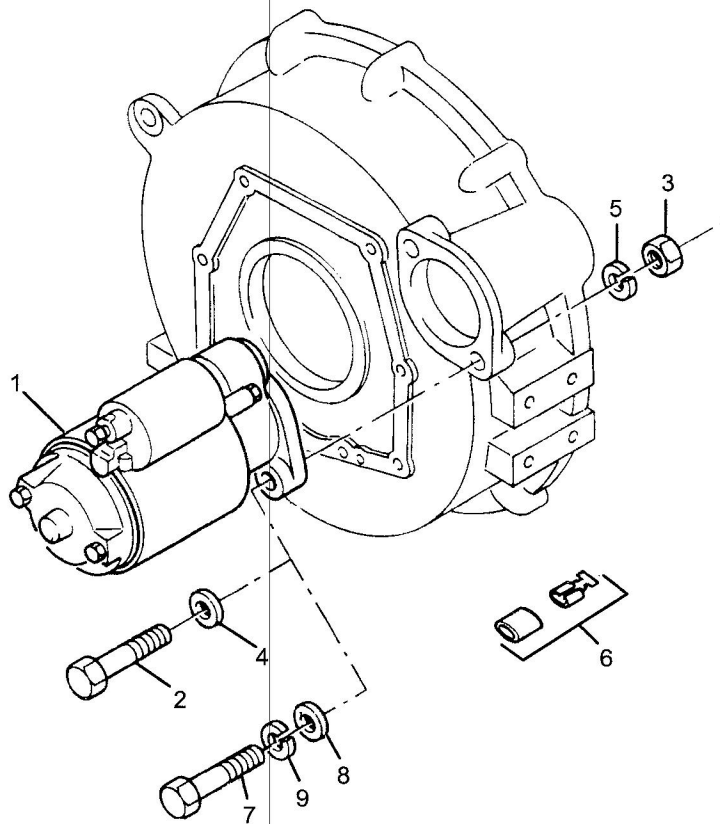


<b>Flywheel &amp; Starter Ring</b>	<b>Plate A</b>
	<b>DDHK0822</b>

Item	Part No.	References	Qty.	Description	Notes
1	115357061		1	FLYWHEEL	
2	U15376130	 a.	1	STARTER RING	
3	010109340		6	SCREW	

<b>History</b>					
<b>a.</b>					
2	115376130		1	STARTER RING	

EDHK0615



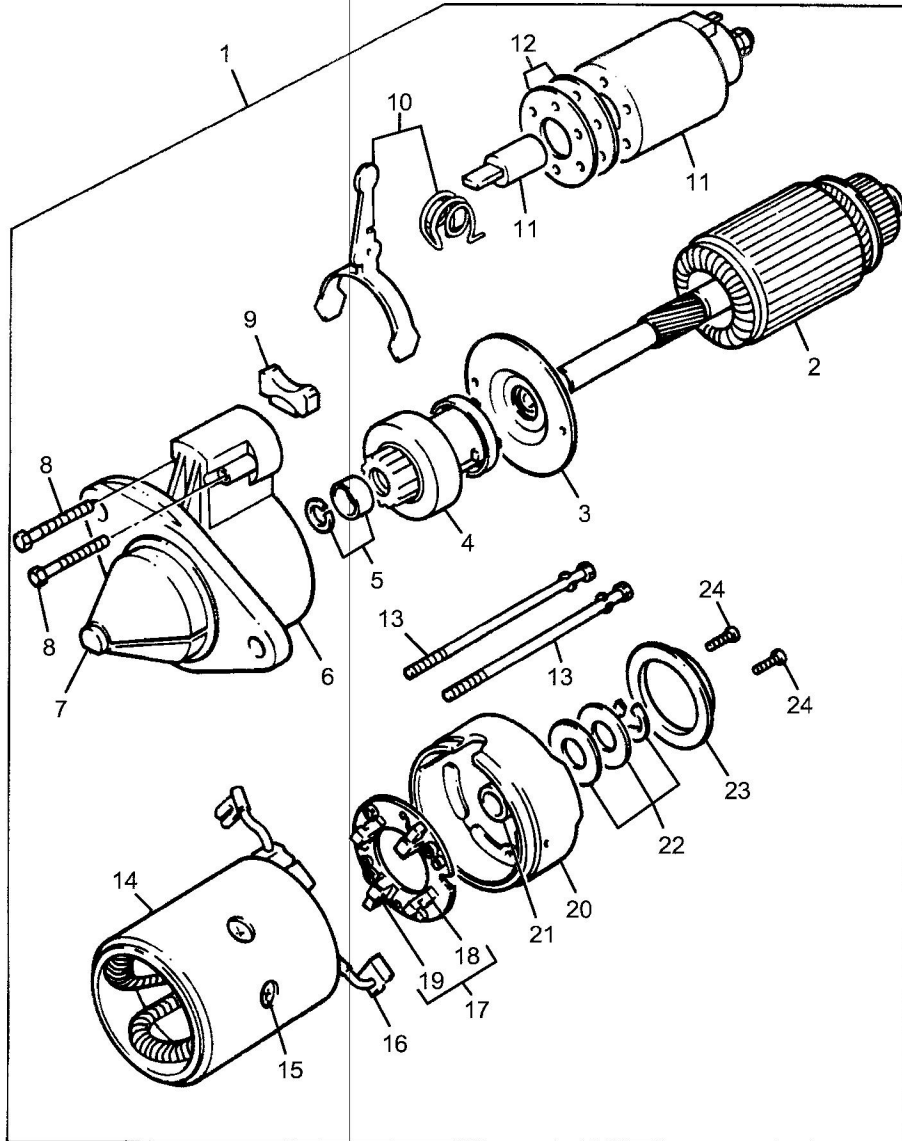


<b>Starter Motor</b>	<b>Plate A</b>
	<b>EDHK0615</b>

Item	Part No.	References	Qty.	Description	Notes
1	185086321	↻	1	STARTER MOTOR	(A)
2	011311045		1	SCREW	
3	020100010		2	NUT	
4	026200010		2	WASHER	
5	027100010		2	WASHER	
7	011311030		1	SCREW	
<b>Service Options</b>					
1	185086321R		1	STARTER MOTOR - EXCHANGE	

<b>Footnotes</b>					
(A)	FOR BREAKDOWN DETAILS SEE FOLLOWING PAGES				

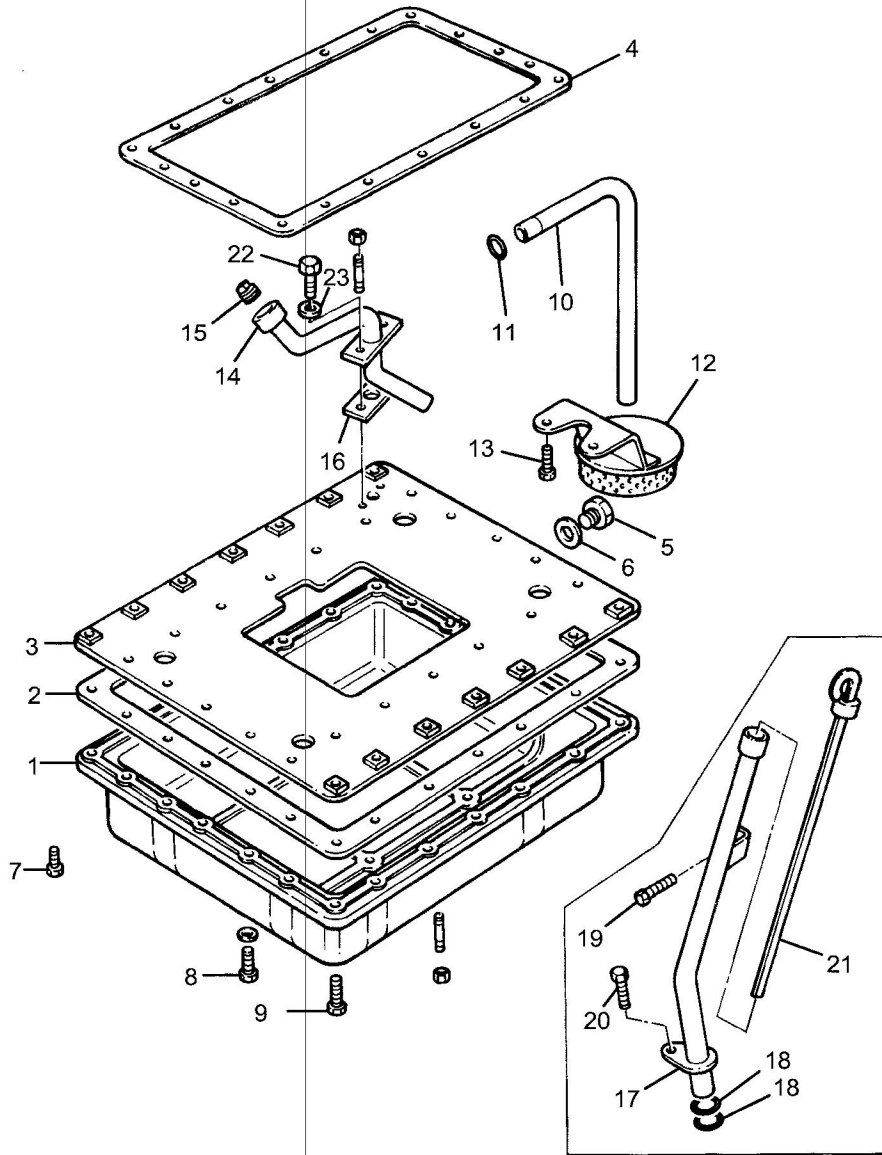
EDHK0615













<b>Starter Motor</b>	<b>Plate B</b>
<b>EDHK0615</b>	

Item	Part No.	References	Qty.	Description	Notes
1	185086321	☺	1	STARTER MOTOR	
2	—185846159		1	ARMATURE	
3	—185846163		1	PLATE	
4	—185866050		1	GEAR	
5	—185846127		1	PINION	
6	—185846454		1	CASE	
7	└185846134		1	BUSH	
8	—185846300		2	BOLT	
9	—185846136		1	COVER	
10	—185846165		1	LEVER	
11	—185816180		1	SOLENOID	
12	—185846136		1	COVER	
13	—185846166		2	BOLT	
14	—185846160		1	COIL	
15	└185846161		4	SCREW	
16	└185416130		2	BRUSH	
17	—185416150		1	HOLDER	
18	└185416141		2	BRUSH	
19	└185846119		4	SPRING	
20	—185846449		1	COVER	
21	└185846131		1	BUSH	
22	—185846126		1	WASHER	
23	—185846136		1	COVER	
24	└015140412		2	SCREW	
<b>Service Options</b>					
1	185086321R		1	STARTER MOTOR - EXCHANGE	

GBHK1402

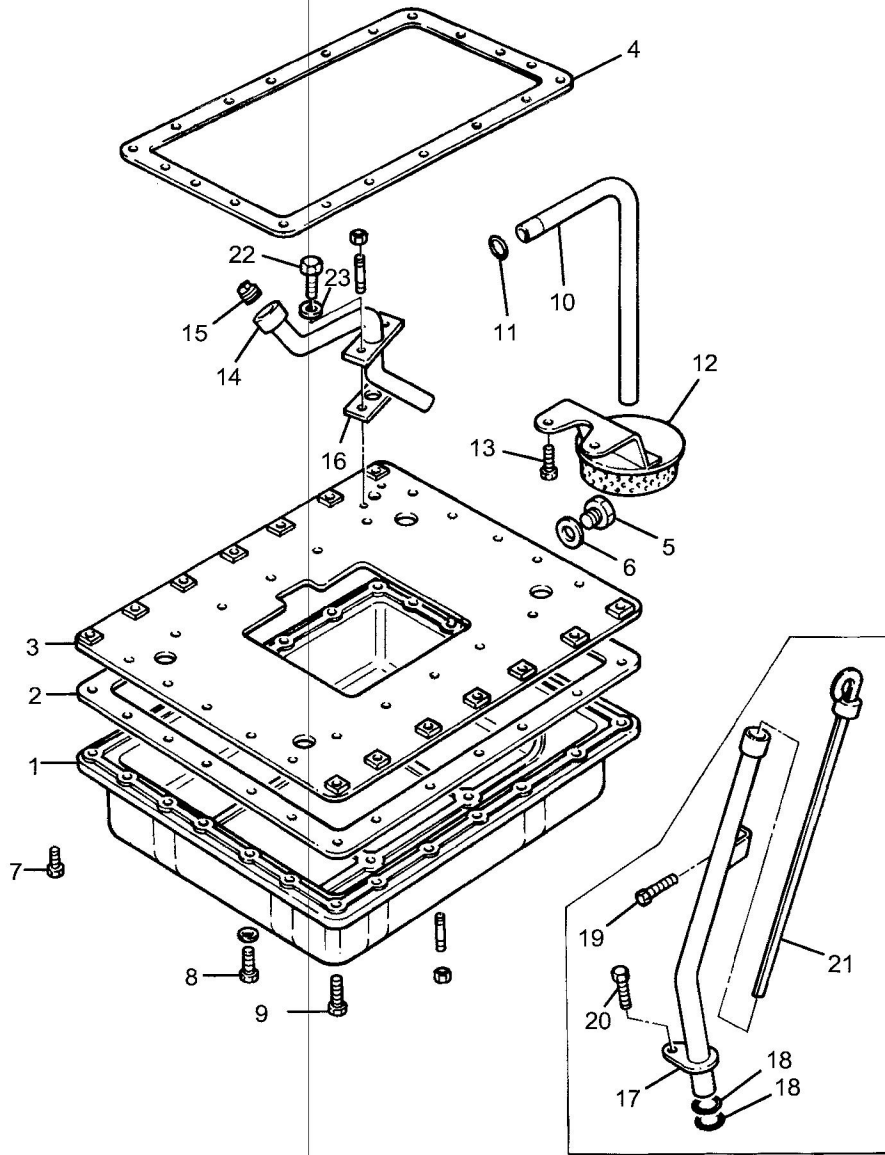


<b>Lubricating Oil Sump</b>	<b>Plate B</b>
<b>GBHK1402</b>	

Item	Part No.	References	Qty.	Description	Notes
1	110706890		1	SUMP	
2	110996630		1	GASKET - SUMP	
3	110516020		1	PLATE	
4	U10996900	 a.  b.  h.	1	GASKET - SUMP	
5	010401212		2	PLUG	
6	025100012		2	WASHER	
7	010109235		10	SCREW	
8	011310616	 c.	10	SCREW	
9	011310616	 c.	14	SCREW	
10	140986480		1	OIL PIPE	
11	052109076	● 052100110	1	SEAL - O RING	
12	140406270		1	STRAINER	
13			2	SCREW	
14	130556452		1	OIL PIPE	*3 130556451
15	064500020		1	PLUG	
16	110996641		1	GASKET	
17	110756570	 g.	1	DIPSTICK TUBE	
18	052100100		1	SEAL - O RING	
19	011300812		1	SCREW	
20		 d.	1	SCREW	
21	198416770	 e.	1	DIPSTICK	
		 f.			
22	011310616	 c.	2	SCREW	
23	025100006		2	WASHER	

<b>History</b>					
<b>a.</b>					
4	110996900		1	GASKET - SUMP	
<b>b.</b>					
4	110996800		1	GASKET - SUMP	
<b>c.</b>					
8	011300616	● 011300620	10	SCREW	
9	011300616	● 011310614	14	SCREW	
22	011300616	● 010800616	2	SCREW	
<b>d.</b>					
20	011300612		1	BOLT	
<b>e.</b>					
21	198416740		1	OIL DIPSTICK	
<b>f.</b>					
21	198416371		1	DIPSTICK	(A) 445MM LONG
<b>g.</b>					
17	110756201		1	TUBE	
<b>h.</b>					
4	110996491		1	GASKET - SUMP	

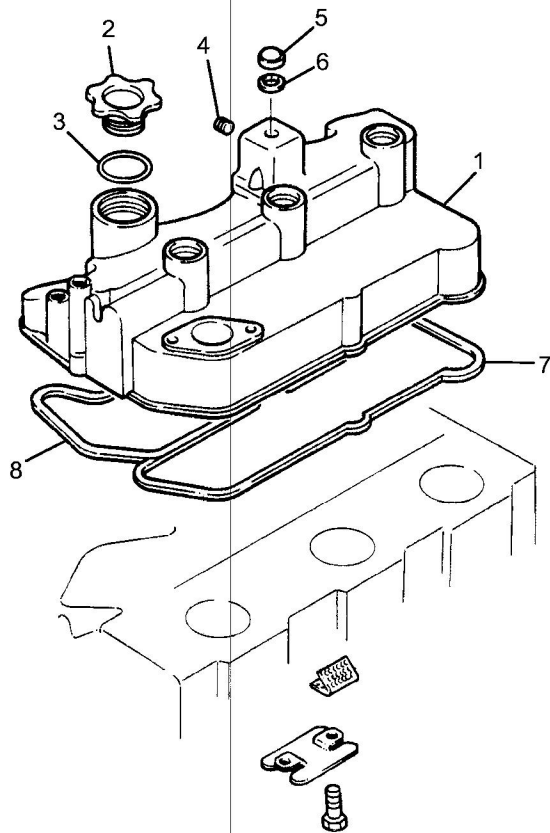
GBHK1402



<b>Lubricating Oil Sump</b>	<b>Plate B</b>
	<b>GBHK1402</b>

<b>Footnotes</b>	
<b>(A)</b>	<b>ALTERNATIVES</b>

HBHK1401



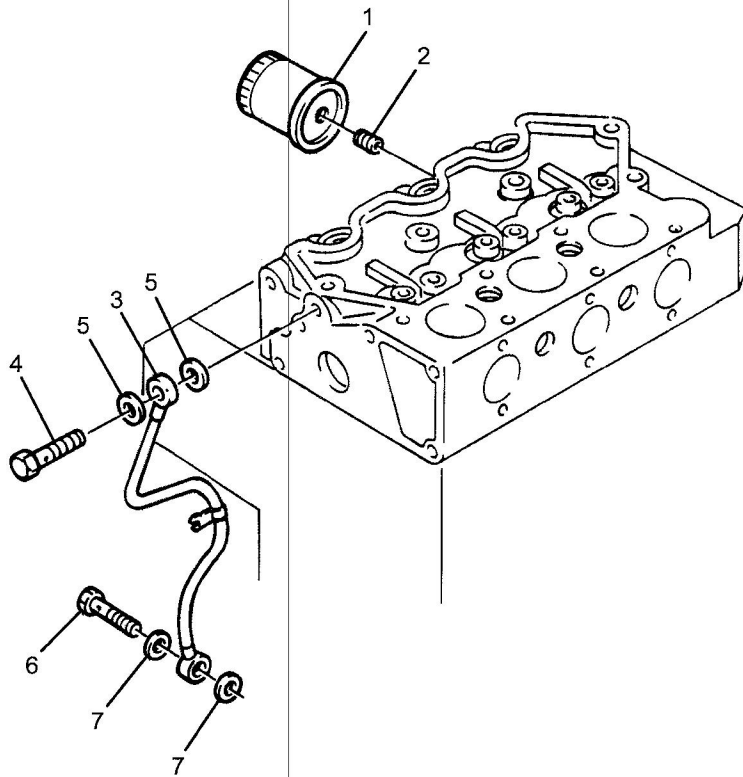


<b>Lubricating Oil Filler &amp; Breather</b>	<b>Plate B</b>
	<b>HBHK1401</b>

Item	Part No.	References	Qty.	Description	Notes
1	111026542	→ 88/09/01 ● 111026540 ☐ c.	1	CYLINDER HEAD COVER	
2	198436350	☐ a.	1	OIL FILLER CAP	
3	052100400		1	SEAL - O RING	
4	064500020		1	PLUG	
5	024600008	● 024500008	3	NUT	
6	140996260	☐ b.	3	WASHER	
7	111996271		1	GASKET - IND MANIFOLD	
8	052109061		1	GASKET - CYL. HEAD COVER	

<b>History</b>					
<b>a.</b>					
2	198436010		1	CAP	
<b>b.</b>					
6	198996060		3	WASHER	
<b>c. General History Section</b>					
1	111216921	→ 88/09/01	1	CYLINDER HEAD COVER	




JBHK1029



Lubricating Oil Filter & Integral Oil Cooler

Plate A

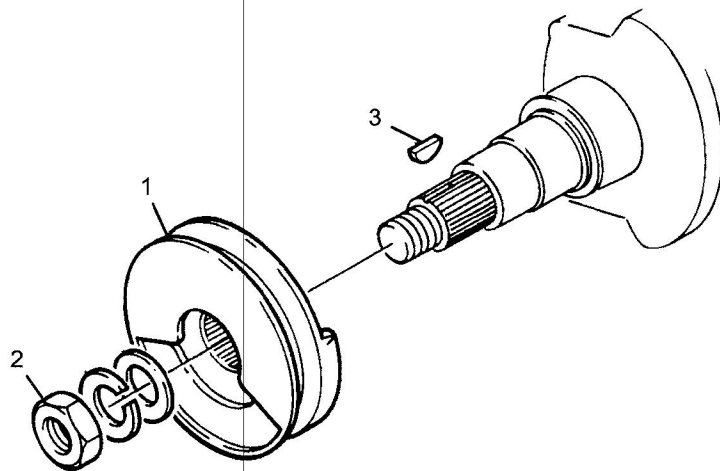
JBHK1029

Item	Part No.	References	Qty.	Description	Notes
1	140517030	 a.	1	OIL FILTER	
2	140546020		1	CONNECTION	
3	140606670		1	OIL PIPE	
4	198486780		1	BOLT	
5	140996260	 b.	2	WASHER	
6	198486780		1	BOLT	
7	140996260	 b.	2	WASHER	

History

<b>a.</b>					
1	140516190		1	OIL FILTER	
<b>b.</b>					
5	198996060		2	WASHER	
7	198996060		2	WASHER	

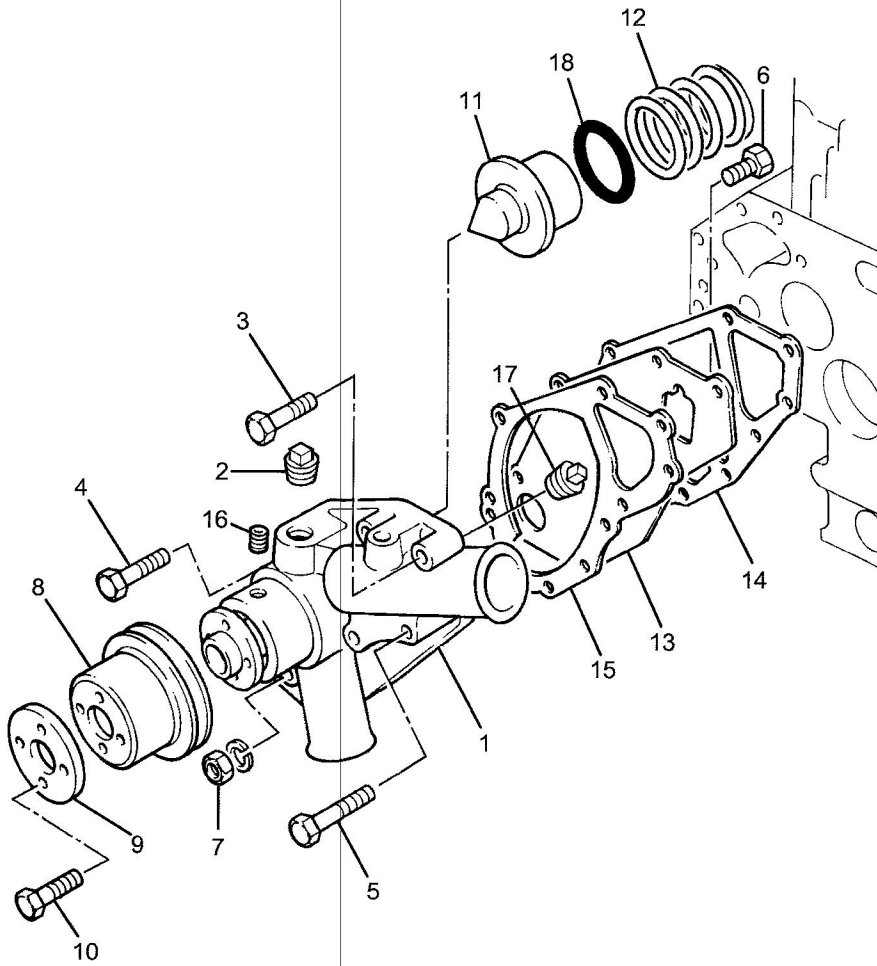
KBHK0579



<b>Front End Drive Input</b>	<b>Plate A</b>
	<b>KBHK0579</b>

<b>Item</b>	<b>Part No.</b>	<b>References</b>	<b>Qty.</b>	<b>Description</b>	<b>Notes</b>
1	115397140		1	CRANKSHAFT PULLEY	
2	020800018		1	NUT	
3	034100508		1	KEY	
<b>History</b>					
a.	→ U114012D 026200018		1	WASHER	

LBHK1390



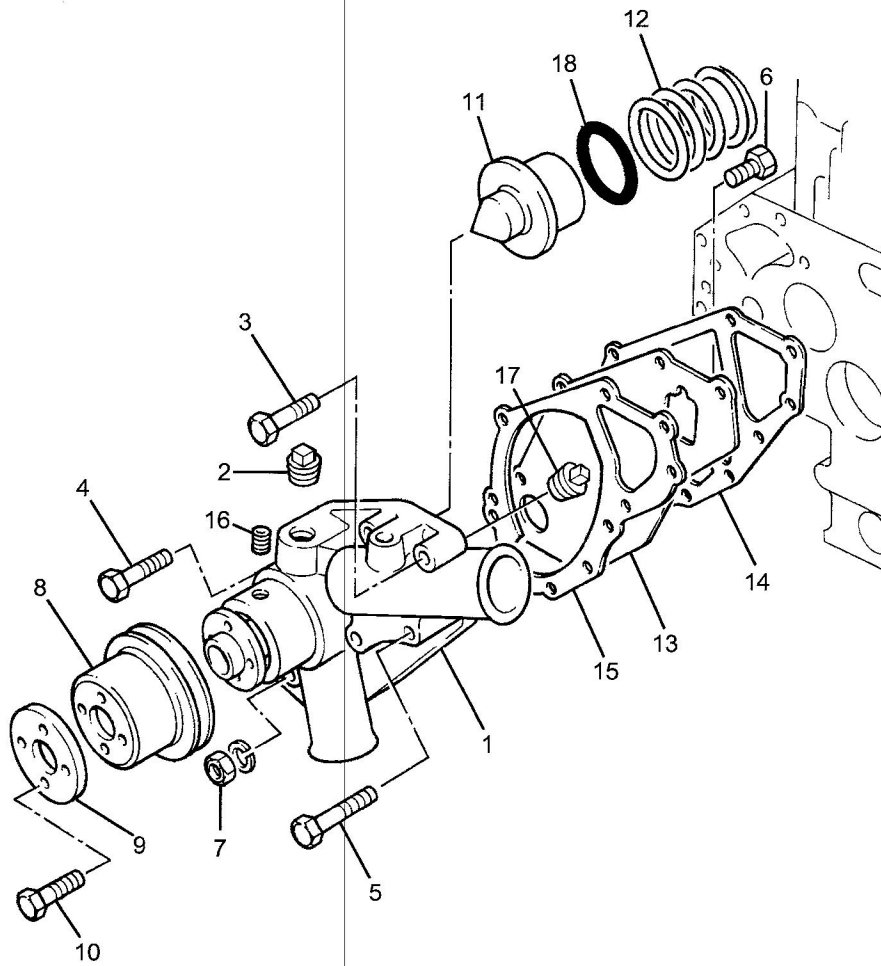
<b>Water Pump, Thermostat &amp; Heat Exchanger</b>	<b>Plate A</b>
	<b>LBHK1390</b>

Item	Part No.	References	Qty.	Description	Notes
1	145016474	● 145016473 ● 145016472/1 ● 145016470	1	WATER PUMP	(A)
2	064500030		2	PLUG	
3	011310660	☐ b.	1	SCREW	
4	011310635	☐ c.	1	SCREW	
5	011310635	☐ c.	3	SCREW	
6	011310616	☐ d.	1	SCREW	
7	023100006		1	NUT	
8	145336490		1	WATER PUMP PULLEY	
9	145386520		1	PLATE	
10	011310620	☐ e.	4	SCREW	
11	145206022	☐ h.	1	THERMOSTAT	(B)
12	198217400	● 198216790	1	SPRING	
13	145146090		1	PLATE	
14	145996900	☐ a.	1	GASKET - WATER PUMP	
		☐ g.			
15	145996910	☐ a. ☐ f.	1	GASKET - WATER PUMP	
16	199486180		1	PLUG	(C)
17	064500010		1	PLUG	(C)
18	145996890	☐ a.	1	GASKET - THERMOSTAT HSG	

<b>History</b>					
<b>a.</b>					
14	145996650		1	GASKET - WATER PUMP	
15	145996660		1	GASKET - WATER PUMP	
18	145996590		1	SEAL	
<b>b.</b>					
3	011300660		1	SCREW	
<b>c.</b>					
4	011300635		1	SCREW	
5	011300635		3	SCREW	
<b>d.</b>					
6	011300616		1	SCREW	
<b>e.</b>					
10	011310614		4	SCREW	
<b>f.</b>					
15	145996280		1	GASKET - WATER PUMP	
<b>g.</b>					
14	145996270		1	GASKET - WATER PUMP	(D)
<b>h. General History Section</b>					
11	145206021		1	THERMOSTAT	(E)

<b>Footnotes</b>	
(A)	WAS 145016472 USE 145016473 WITH 145206022/145996590.
(B)	USED ONLY WITH 145016473

LBHK1390

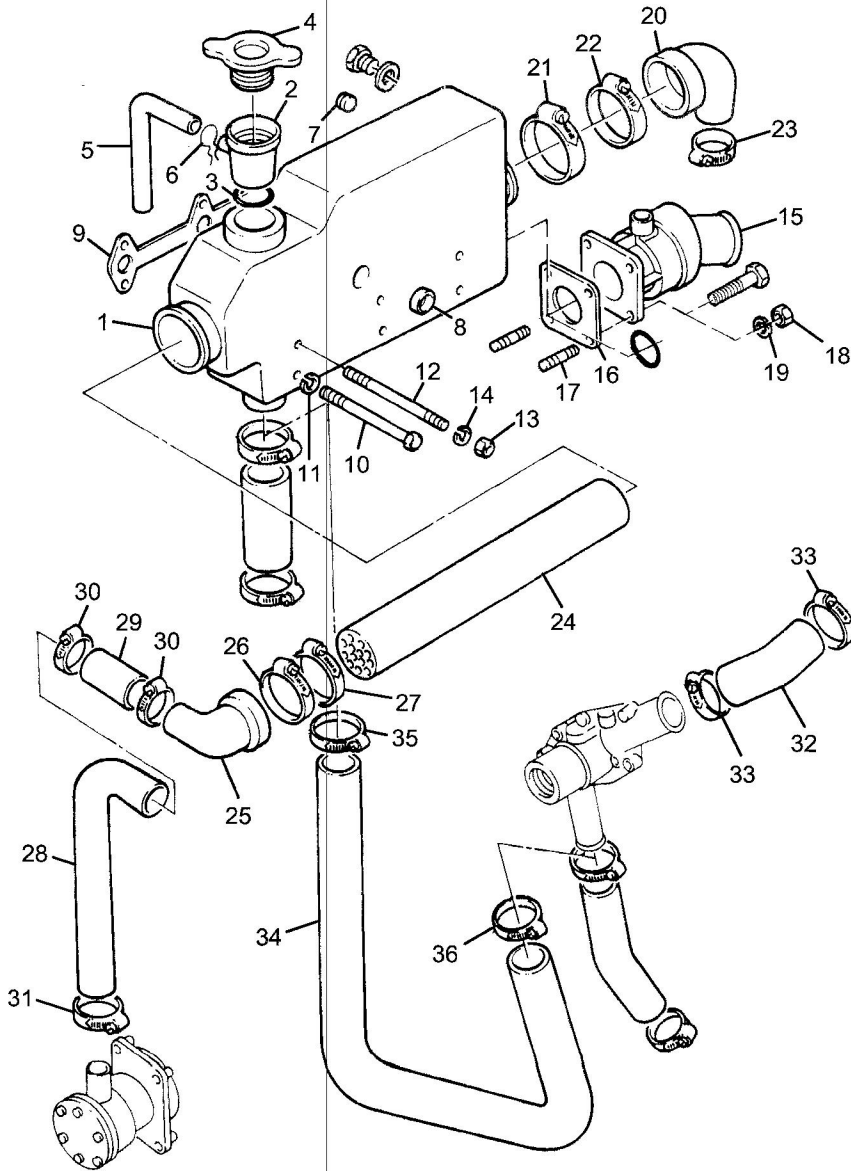




<b>Water Pump, Thermostat &amp; Heat Exchanger</b>	<b>Plate A</b>
	<b>LBHK1390</b>

<b>Footnotes</b>	
(C)	USED ONLY WITH 145016472.
(D)	MUST BE USED WITH 21826046 SEALING COMPOUND
(E)	USED ONLY WITH 145016472





LBHK1390



Water Pump, Thermostat & Heat Exchanger

Plate C

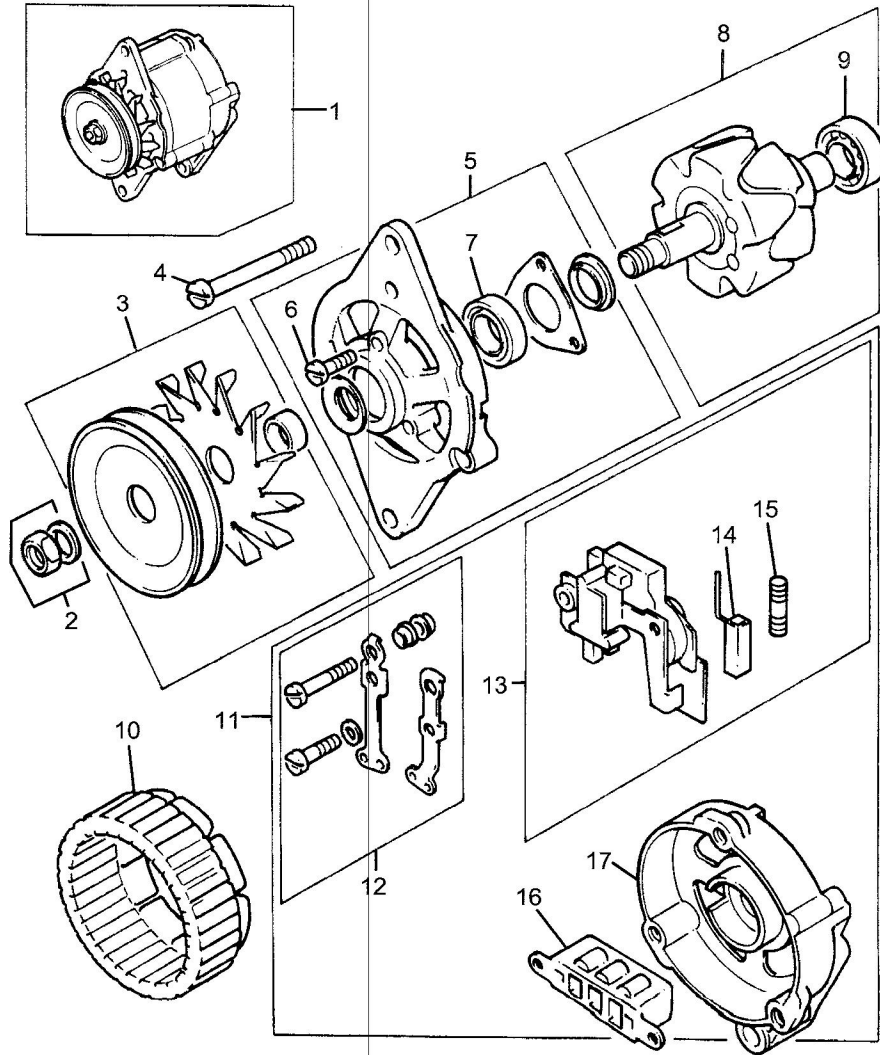
LBHK1390

Item	Part No.	References	Qty.	Description	Notes
1	135606180		1	EXCHANGER	
2	145546430		1	RIM	
3	052400280		1	SEAL - O RING	
4	310110220	 c.	1	CAP	
5	068118630		1	WATER PIPE	
6	198340140		1	CLIP	
7	064200015		1	PLUG	
8	064200030		1	PLUG	
9	135996541	●○ 135996540	1	GASKET - EXHAUST MANIFOLD	
10	010110695	 a.	5	SCREW	
11	027100006		5	WASHER	
12	012109207		1	STUD	
13	023100006		1	NUT	
14	027100006		1	WASHER	
15		◇ UDHK	1	ELBOW	
16		◇ UDHK	1	JOINT	
17		◇ UDHK	4	STUD	
18		◇ UDHK	4	NUT	
19		◇ UDHK	4	WASHER	
20	145536370		1	COVER	
21	198756170		1	CLIP	
22	198756160		1	CLIP	
23	198756230		1	CLIP	
24	145506300		1	TUBE	
25	145536370		1	COVER	
26	198756160		1	CLIP	
27	198756170		1	CLIP	
28	145536361		1	HOSE	
29	145986160		1	WATER PIPE	
30	198756230		2	CLIP	
31	198756230		1	CLIP	
32	145536581		1	HOSE	
33	20120	 b.	2	HOSE CLIP	
34	145536661	●○ 145536660	1	HOSE	
35	20120	 b.	1	HOSE CLIP	
36	198756230		1	CLIP	

History

<b>a.</b>					
10	010109366		5	SCREW	
<b>b.</b>					
33	198756150		2	CLIP	
35	198756150		1	CLIP	
<b>c.</b>					
4	310110090		1	CAP	

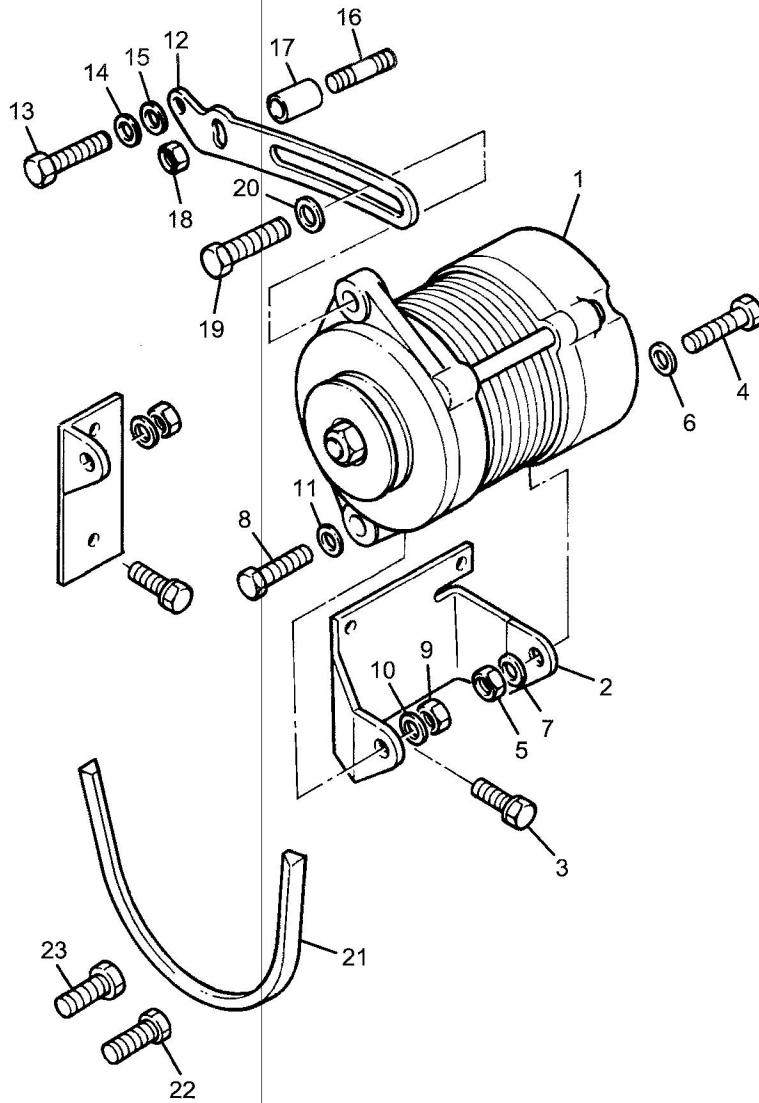
NDHK1764



<b>Alternator &amp; Generator</b>	<b>Plate D</b>
	<b>NDHK1764</b>

Item	Part No.	References	Qty.	Description	Notes
1	2871A152		1	ALTERNATOR	
5	—28710367		1	BRACKET	
7	—28710257		1	BEARING	
8	—28710366		1	ROTOR	
10	—28710369		1	STATOR	
11	—	⇒ REF1	1	COVER	
13	—28710283		1	REGULATOR	
14	└	⇒ REF 13	1	BRUSH	
16	└28710284		1	RECTIFIER	

NDHK1764



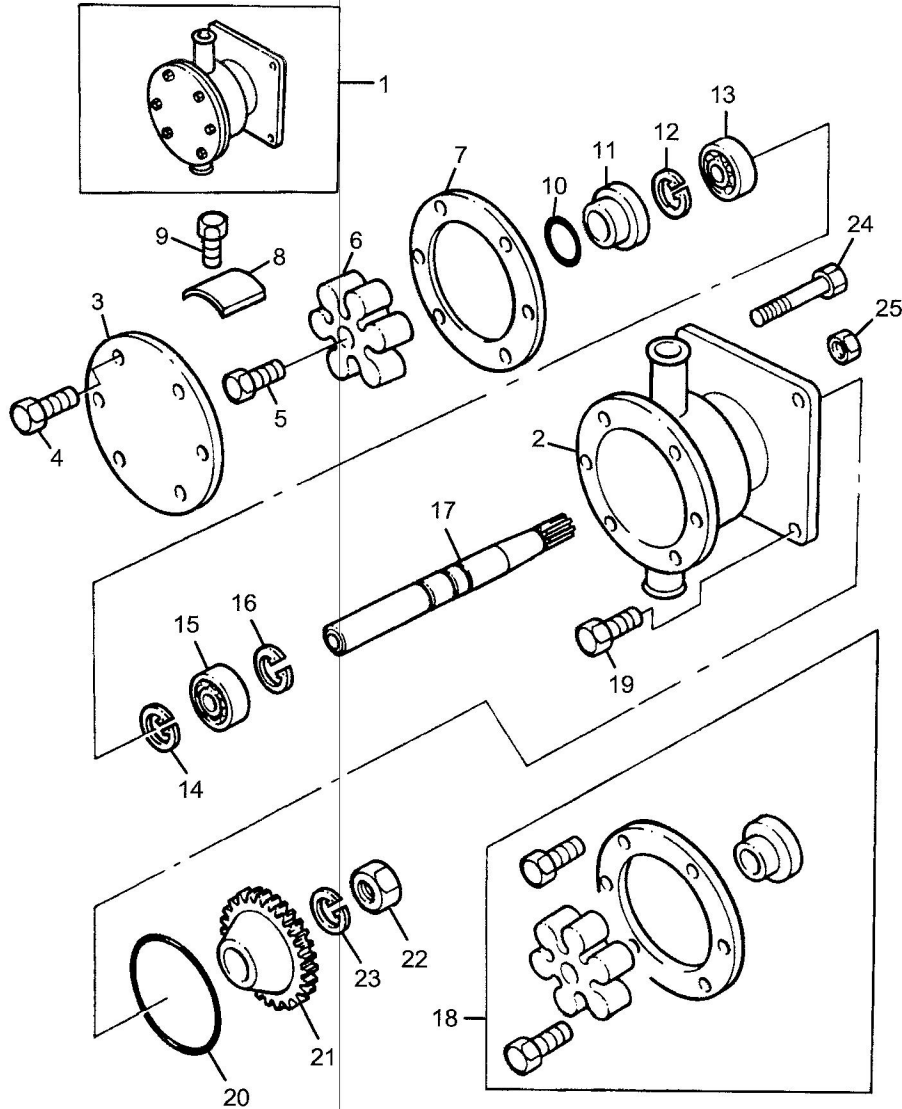
NDHK1764

Item	Part No.	References	Qty.	Description	Notes
1	2871A152		1	ALTERNATOR	
2	185976271		1	BRACKET	
3	011310816		3	SCREW	
4	011310840		1	SCREW	
5	020100008		1	NUT	
6	026200008		1	WASHER	
7	026200008		1	WASHER	
8	011310830		1	SCREW	
9	020100008		1	NUT	
10	026200008		1	WASHER	
11	026200008		1	WASHER	
12	185726531		1	LEVER	
13	011310640	☐ c.	1	SCREW	
14	026200006		1	WASHER	
15	026200006		1	WASHER	
16	012100635		1	STUD	
17	199237060	☐ e.	1	SPACER	
18	023100006		1	NUT	
19	011310830		1	SCREW	
20	026200008		2	WASHER	
21	080109103	☐ a.	1	BELT	
22	011310630	☐ d.	1	SCREW	
23	011310645		2	SCREW	

**History**

<b>a.</b>					
21	080109053	● 180109054 ● 080109039	1	BELT	
<b>b.</b>					
	011300645		2	SCREW	
<b>c.</b>					
13	011300640		1	SCREW	
<b>d.</b>					
22	011300630		1	SCREW	
<b>e.</b>					
17	199236720		1	SPACER	

QBHK0138



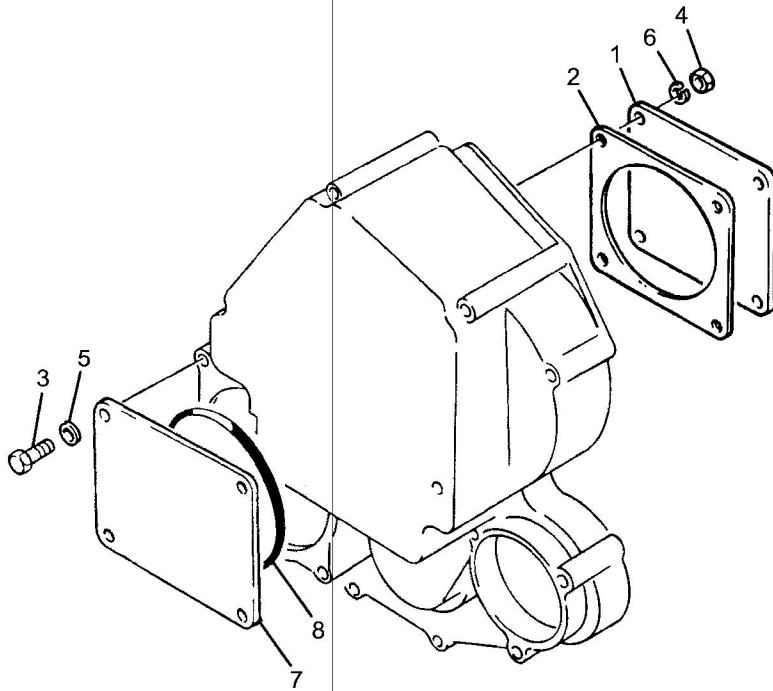


<b>Gear Driven Sea Water Pump</b>	<b>Plate A</b>
	<b>QBHK0138</b>

Item	Part No.	References	Qty.	Description	Notes
1	145016941		1	WATER PUMP	
2	—24880191		1	WATER PUMP HOUSING	
3	—24880189		1	COVER	
4	—24880192		6	SCREW	
5	—24880193		1	SCREW	
6	—24880194		1	IMPELLER	
7	—24880195		1	GASKET - WATER PUMP	
8	—24880196		1	CAM	
9	—0720866		1	SCREW	
10	—24880197		1	SEAL - O RING	
11	—24880042		1	SEAL - SHAFT	
12	—24880219	• 24880198	1	CIRCLIP	
13	—24880199		1	BALL BEARING	
14	—24880219	• 24880198	1	CIRCLIP	
15	—24880199		1	BALL BEARING	
16	—24880200		1	CIRCLIP	
17	—24880201		1	SHAFT	
18	—24880202		X	REPAIR KIT-SEAWATER PUMP	
6	24880451		1	IMPELLER	(A,B)
19	011300870		4	SCREW	
20	052300700		1	SEAL - O RING	
21	340460141		1	WATER PUMP GEAR	
22	020100010		1	NUT	
23	027100010		1	WASHER	

<b>Footnotes</b>	
(A)	USED ONLY FOR LIFEBOAT APPLICATIONS
(B)	NOT INCLUDED IN REPAIR KIT

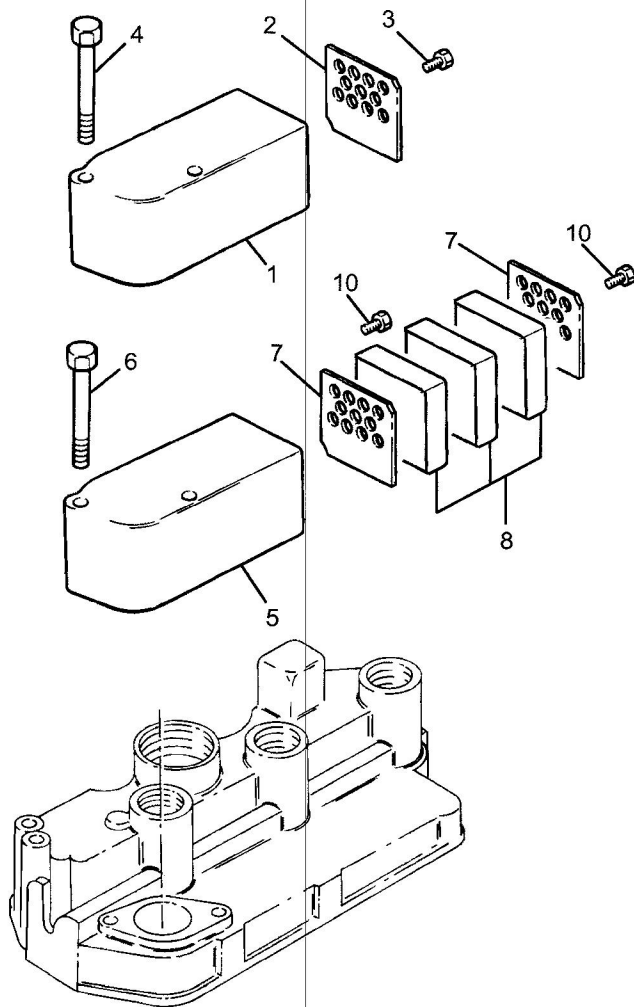
QDHK0930



<b>Gear Drive Auxiliary Drive Option</b>	<b>Plate A</b>
	<b>QDHK0930</b>

Item	Part No.	References	Qty.	Description	Notes
1	165206570		1	PLATE	
2	165996110		1	GASKET - OIL FILLER	
4	020100008		4	NUT	

TBHK0557



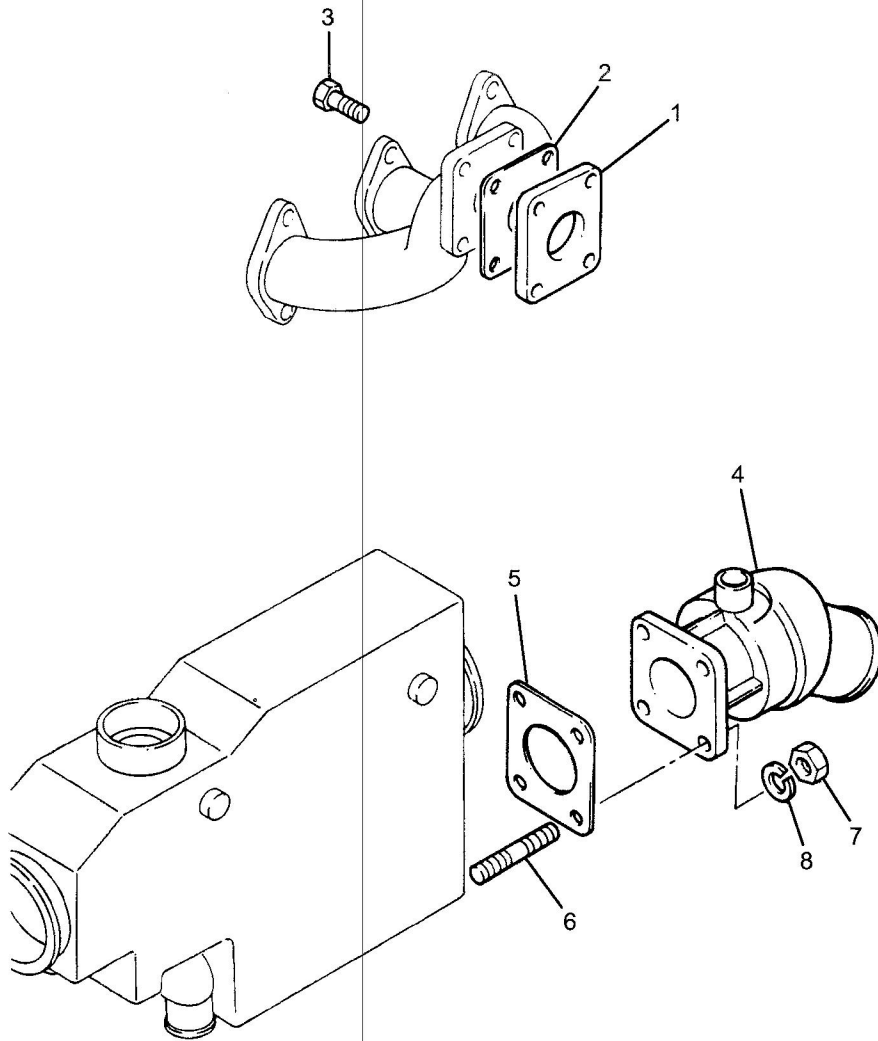
<b>Induction Manifold</b>	<b>Plate B</b>
	<b>TBHK0557</b>

Item	Part No.	References	Qty.	Description	Notes
1	135126020		1	HOUSING	(A)
2	135116030		1	STRAINER	(B)
3	015150308		2	SCREW	(B)
4	011310680	☐ a.	2	SCREW	
5	135126022		1	HOUSING	(C)
6	011310680	☐ a.	2	SCREW	
7	135116030		2	STRAINER	(D)
8	110666190		3	MAIN AIR FILTER	(D)
9	110666190		1	MAIN AIR FILTER	(E)
10	015150308		4	SCREW	(D)
11	015150306		4	SCREW	(E)

<b>History</b>					
<b>a.</b>					
4	011300680		2	SCREW	
6	011300680		2	SCREW	

<b>Footnotes</b>	
(A)	WAS 135126020 USE 135126021.
(B)	USED ONLY WITH 135126020
(C)	WAS 135126021 USE 135126022/110666190/015150306-4
(D)	USED ONLY WITH 135126021
(E)	USED ONLY WITH 135126022

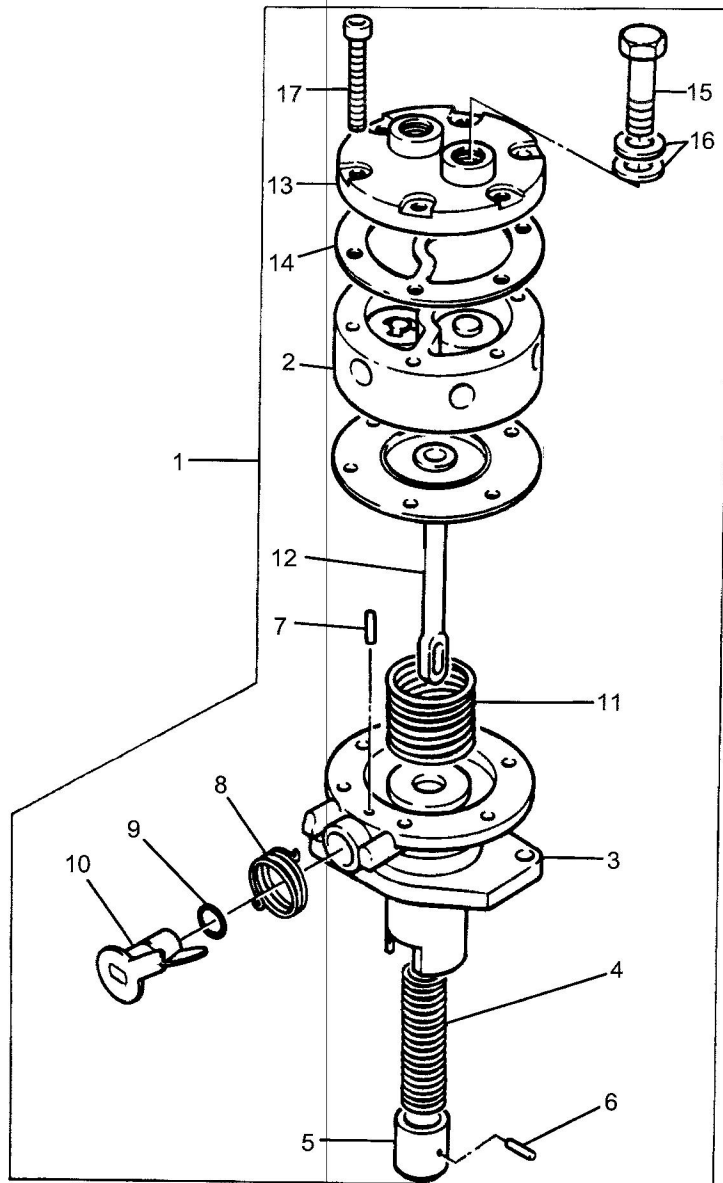
UDHK0398



<b>Exhaust Outlet Flange</b>	<b>Plate A</b>
	<b>UDHK0398</b>

<b>Item</b>	<b>Part No.</b>	<b>References</b>	<b>Qty.</b>	<b>Description</b>	<b>Notes</b>
4	135616660		1	ELBOW	
5	314990030		1	GASKET	
6	012100820		4	STUD	
7	023100008		4	NUT	
8	027100008		4	WASHER	

VBHK1398





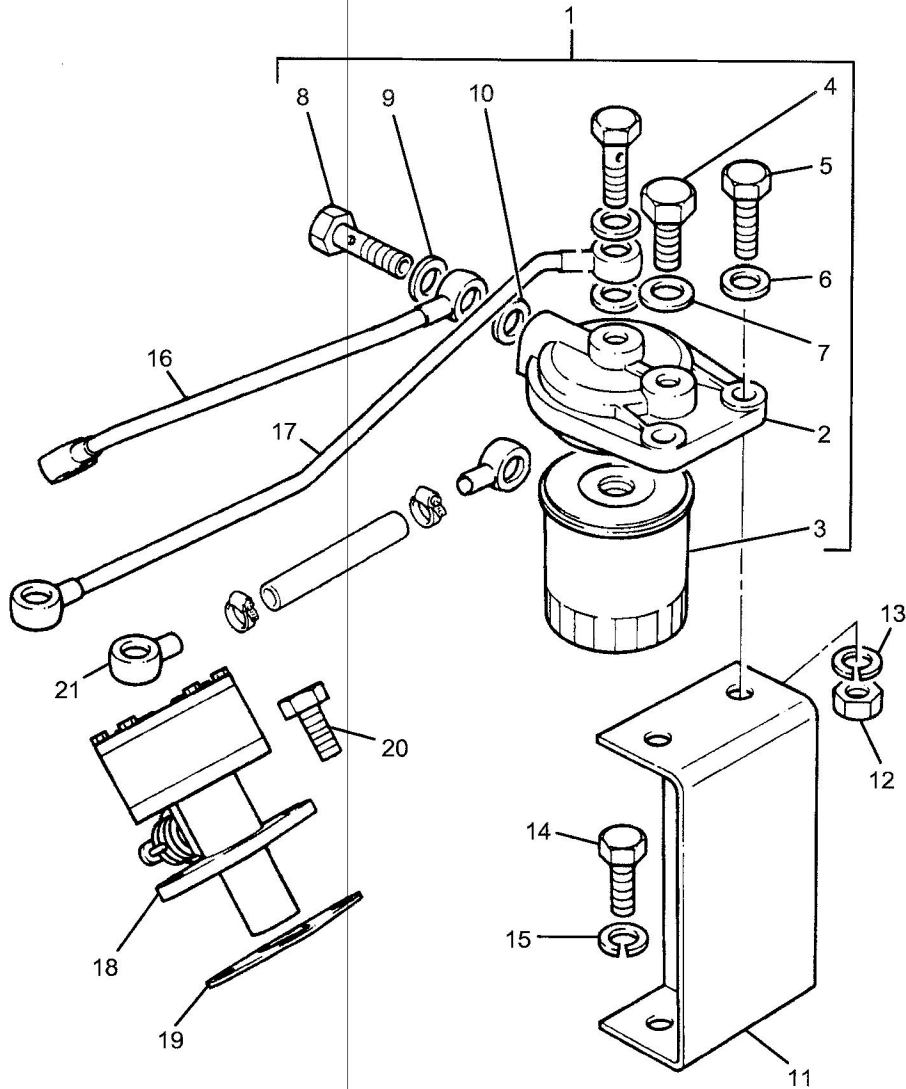
Low Pressure Fuel System

Plate B

VBHK1398

Item	Part No.	References	Qty.	Description	Notes
1	130506140		1	LIFT PUMP	
2	—	⇒ REF.1	1	BODY	
3	—130516080		1	HOUSING	
4	—130516081		1	SPRING	
5	—130516082		1	PLUNGER	
6	—130516085		1	PIN	
7	—130516088		1	PIN	
8	—130516083		1	SPRING	
9	—131226180		1	SEAL - O RING	
10	—130516086		1	LEVER	
11	—130516087		1	SPRING	
12	—130516084		1	DIAPHRAGM	
13	—130516090		1	CAP	
14	—130516089		1	GASKET	
15	—130516092		2	BOLT	
16	—130516069		4	WASHER	
17	—130516091		6	SCREW	

VBHK1398



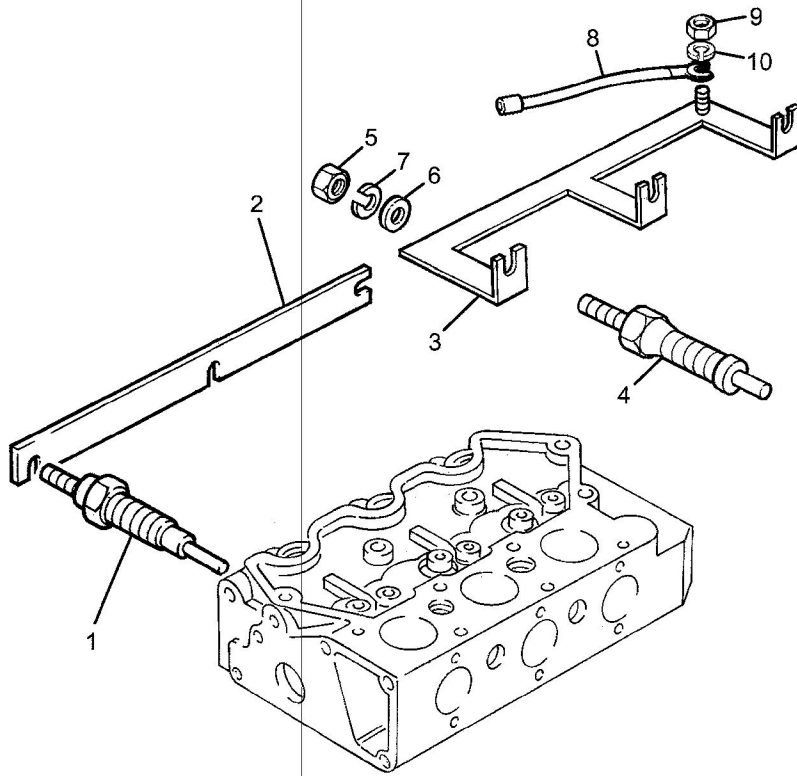
<b>Low Pressure Fuel System</b>	<b>Plate C</b>
<b>VBHK1398</b>	

Item	Part No.	References	Qty.	Description	Notes
1	130306190	∞ 130306021	1	FUEL FILTER ASSEMBLY	
2	—	⇒ 130306190	1	FILTER HEAD	
3	—130366120		1	FUEL FILTER	
4	—130396030		1	PLUG	
5	—130436011		1	BOLT	
6	—130326051		1	WASHER	
7	—130326051		1	WASHER	
8	—130436011		1	BOLT	
9	—130326051		1	WASHER	
10	—130326051		1	WASHER	
11	110976142	∞ 110976141	1	BRACKET	
12	020100010		2	NUT	
13	027100010		2	WASHER	
14	010100814		2	SCREW	
15	027100008		2	WASHER	
16	130556460		1	PIPE - FUEL	
17	130556471		1	PIPE - FUEL	
18	130506140		1	LIFT PUMP	(A)
19	130996140	☐ a. ☐ c.	1	GASKET - LIFT PUMP	
20	011310616	☐ b.	2	SCREW	
21	198487110		1	CONNECTION	

<b>History</b>					
<b>a.</b>					
19	130996130		1	GASKET - LIFT PUMP	
<b>b.</b>					
20	011300616		2	SCREW	
<b>c.</b>					
19	130996070		1	GASKET - LIFT PUMP	

<b>Footnotes</b>	
(A)	SEE PLATE B

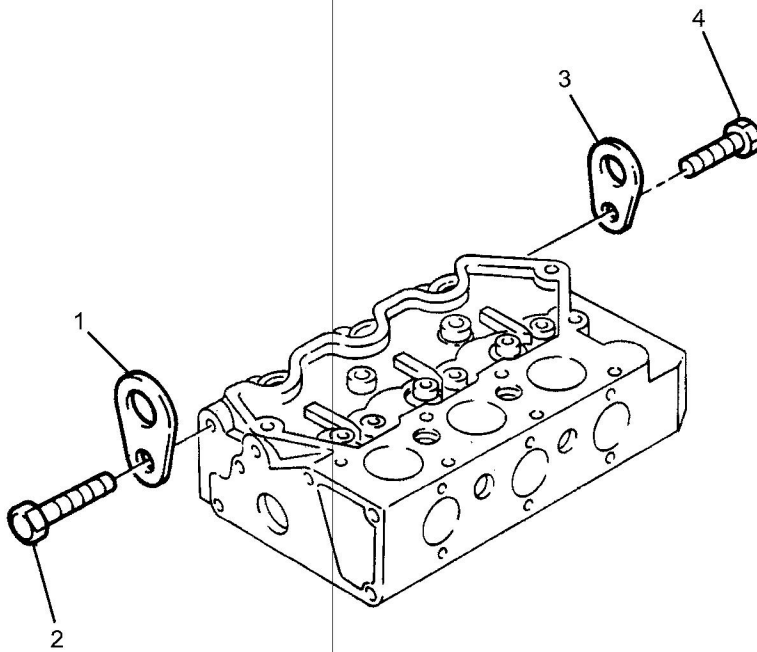
WDHK0192



<b>Cold Start System</b>	<b>Plate A</b>
	<b>WDHK0192</b>

Item	Part No.	References	Qty.	Description	Notes
2	185376110		1	BAR	
4	185366190	● 185366060	3	GLOWPLUG	
5	┌	⇒ REF.4	1	NUT	
6	├	⇒ REF.4	1	WASHER	
7	└	⇒ REF.NO.4	1	WASHER	

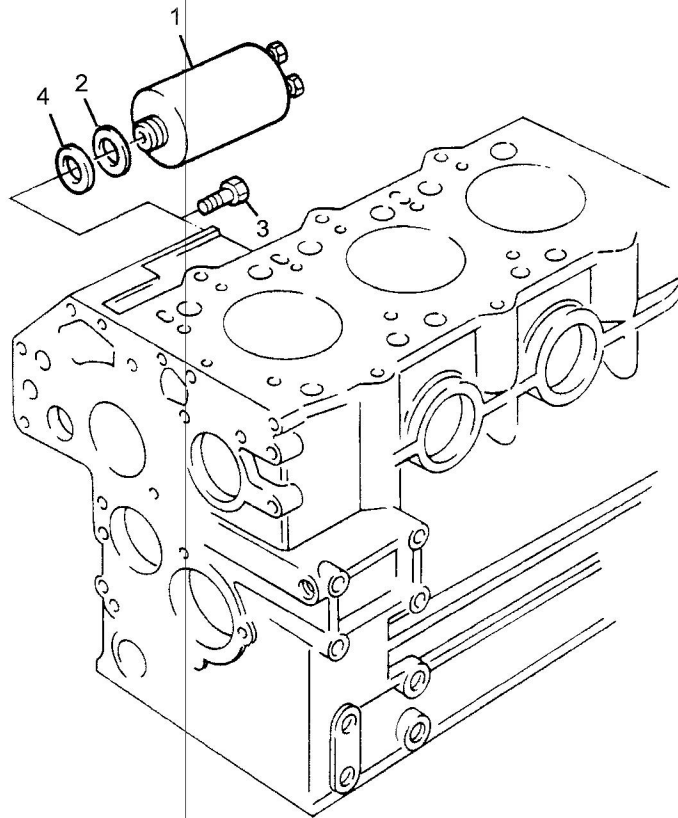
XBHK0308



<b>Engine Lifting</b>	<b>Plate A</b>
	<b>XBHK0308</b>

<b>Item</b>	<b>Part No.</b>	<b>References</b>	<b>Qty.</b>	<b>Description</b>	<b>Notes</b>
1	195816200		1	PLATE	
2	011310816		1	SCREW	
3	195816200		1	PLATE	
4	011310816		1	SCREW	

ZAHK0520

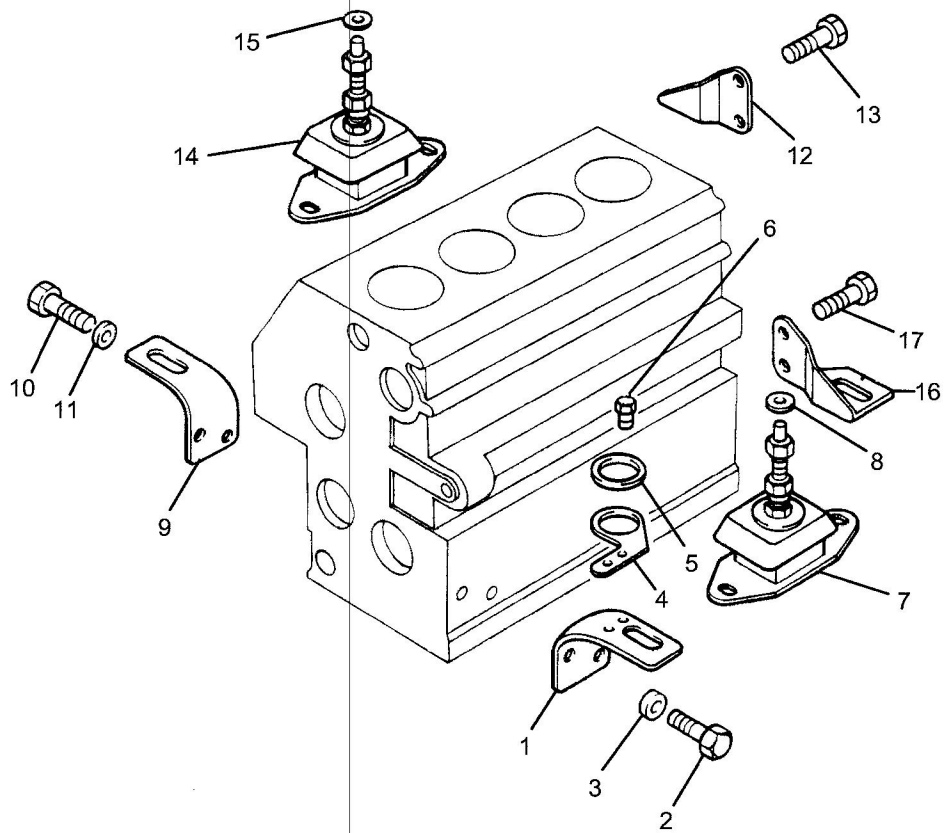




<b>Throttle &amp; Stop Controls</b>	<b>Plate A</b>
	<b>ZAHK0520</b>

Item	Part No.	References	Qty.	Description	Notes
2	025100016		1	WASHER	
3	010109238		1	SCREW	

ZCHK0826

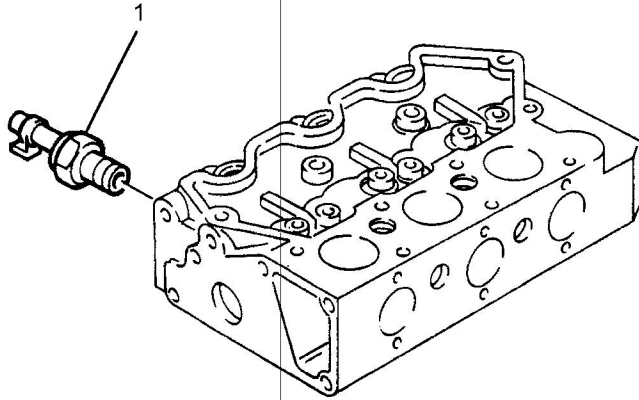


<b>Mountings (Front &amp; Rear)</b>	<b>Plate C</b>
	<b>ZCHK0826</b>

Item	Part No.	References	Qty.	Description	Notes
1	110266240		1	BRACKET	
2	010401225		2	SCREW	
3	027100012		2	WASHER	
4	160976170		1	BRACKET	
5	398116800		1	SEAL - O RING	
6	011310812		2	SCREW	
7	2634C205		2	MOUNTING	
8	2131A012		2	WASHER	
9	110266230		1	BRACKET	
10	010401225		2	SCREW	
11	027100012		2	WASHER	
12	110976162	•∞ 110976161	1	BRACKET	(A,B)
13	011311020		2	SCREW	
14	2634C205		2	MOUNTING	
15	2131A012		2	WASHER	
16	110976152	•∞ 110976151	1	BRACKET	(C,D)
17	011311020		2	SCREW	

<b>Footnotes</b>	
(A)	WAS 110976161 USE 110976162 WITH 110976152.
(B)	USED ONLY WITH 110976152
(C)	WAS 110976151 USE 110976152 WITH 110976162.
(D)	USED ONLY WITH 110976162

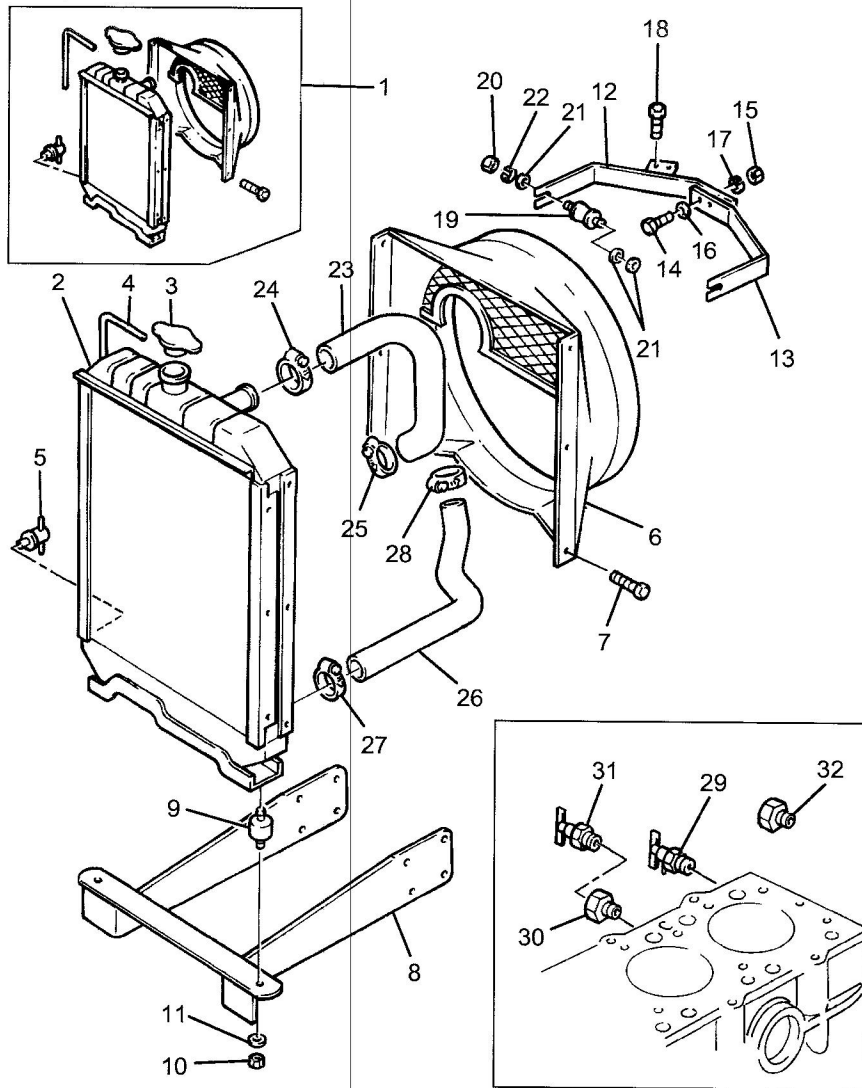
ZJHK0404



Lub. Oil Pressure Switch & Gauge	Plate A
	ZJHK0404

Item	Part No.	References	Qty.	Description	Notes
1	185246060		1	OIL PRESSURE SWITCH	

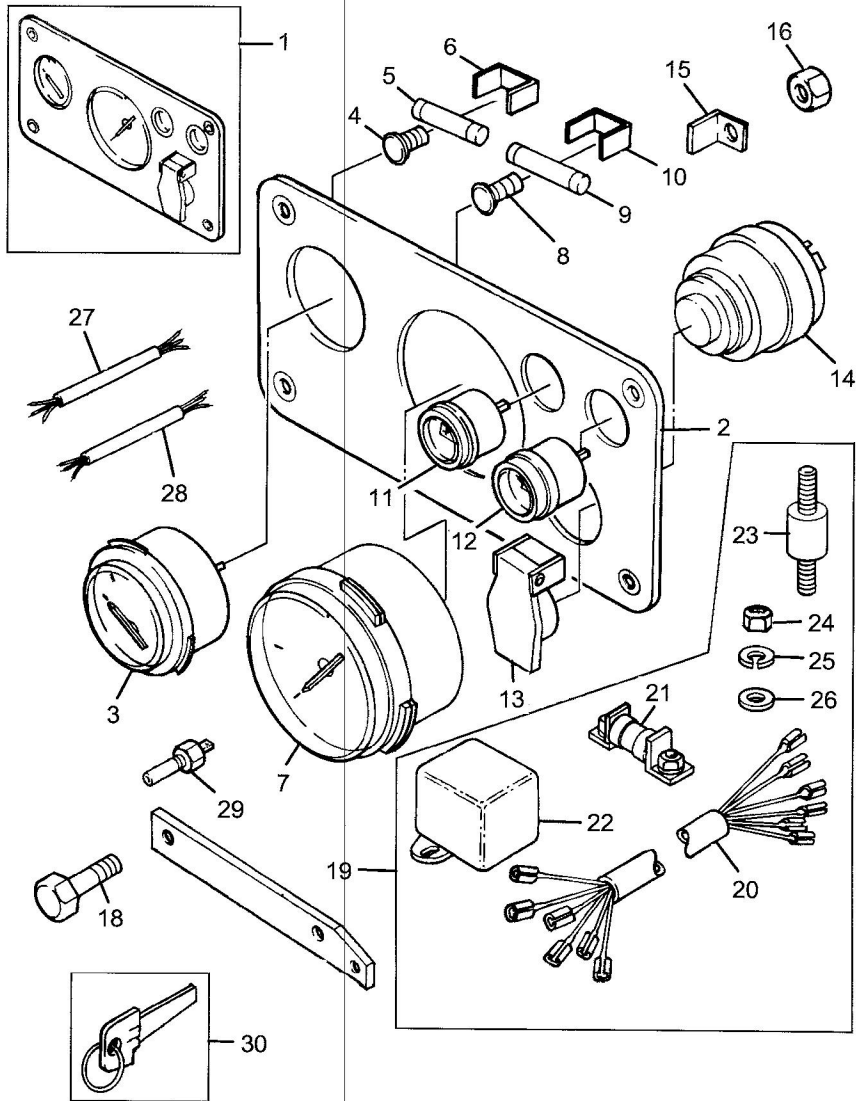
ZMHK0255



<b>Radiator &amp; Cowling</b>	<b>Plate A</b>
	<b>ZMHK0255</b>

<b>Item</b>	<b>Part No.</b>	<b>References</b>	<b>Qty.</b>	<b>Description</b>	<b>Notes</b>
30	198486770		1	ADAPTOR	
31	198736050		1	DRAIN TAP	

ZNHK0154



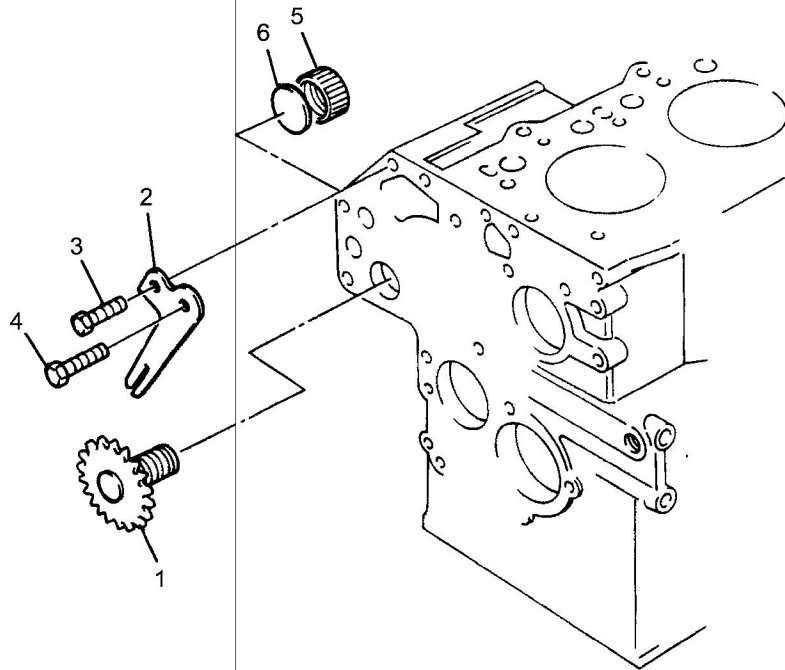


<b>Instrumentation Assembly</b>	<b>Plate A</b>
<b>ZNHK0154</b>	


Item	Part No.	References	Qty.	Description	Notes
1	2755F003		1	INSTRUMENT PANEL	
2	—27550007		1	PANEL	
3	—27550001		1	TEMPERATURE GAUGE	
4	—27550008		1	BULB	
5	—27550009		1	HOLDER	
6	—27550010		1	COVER	
7	—27550002		1	COUNTER	
8	—27550011		1	BULB	
9	—27550009		1	HOLDER	
10	—27550010		1	COVER	
11	—27550004		1	WARNING LIGHT	
12	—27550005		1	WARNING LIGHT	
13	—27550003		1	COVER	
14	—27550006		1	IGNITION SWITCH	
30	└27550021		1	IGNITION KEY	
15	—27550012		1	BRACKET	
16	—27550013		3	NUT	
27	—2880A005		1	WIRING HARNESS	(A)
28	—2880A006		1	WIRING HARNESS	(B)
29	—2755A006		1	WATER TEMPERATURE SENSOR	
17	3621D001		1	PLATE	
18	2314H001		2	SCREW	
19	4172T006		1	WIRING HARNESS	(C)
20	—4172T005		1	WIRING HARNESS	
21	—4173A001		1	FUSE	
22	—2848A227		1	RELAY	
23	—2634A157		2	MOUNTING	
24	—2318A205		4	NUT	
25	—2131A004		4	WASHER	
26	—2134A004		4	WASHER	

<b>Footnotes</b>	
(A)	WIRING LOOM PANEL
(B)	WIRING LOOM PANEL TO ENGINE
(C)	WIRING LOOM ENGINE.

ZQHK0523

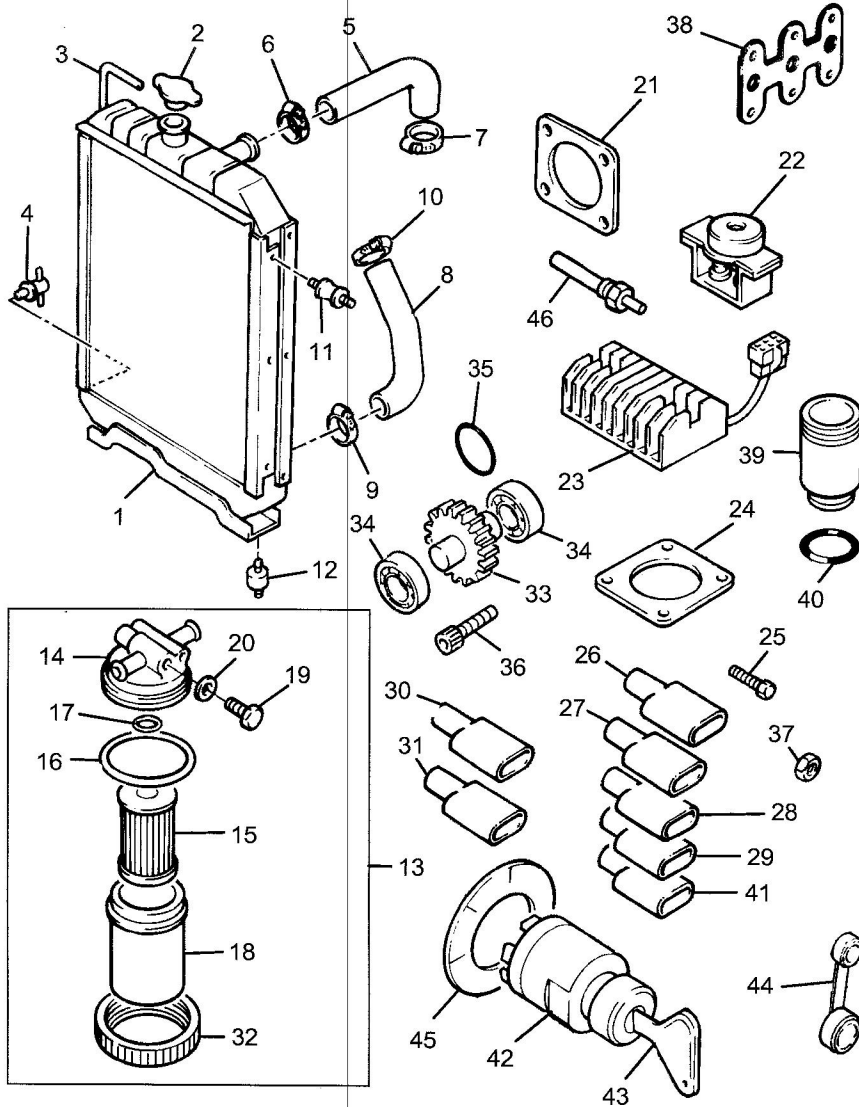


<b>Tachometer &amp; Hour Recorder</b>	<b>Plate A</b>
	<b>ZQHK0523</b>

Item	Part No.	References	Qty.	Description	Notes
1	120076070		1	SHAFT	
2	199566651		1	PLATE	
3	011310612		1	SCREW	
4	010700610		1	SCREW	
5	199376230		1	CAP	
6	120996120	 a.	1	SEAL	

<b>History</b>					
a.					
6	120996060		1	SEAL	

ZZHK0422

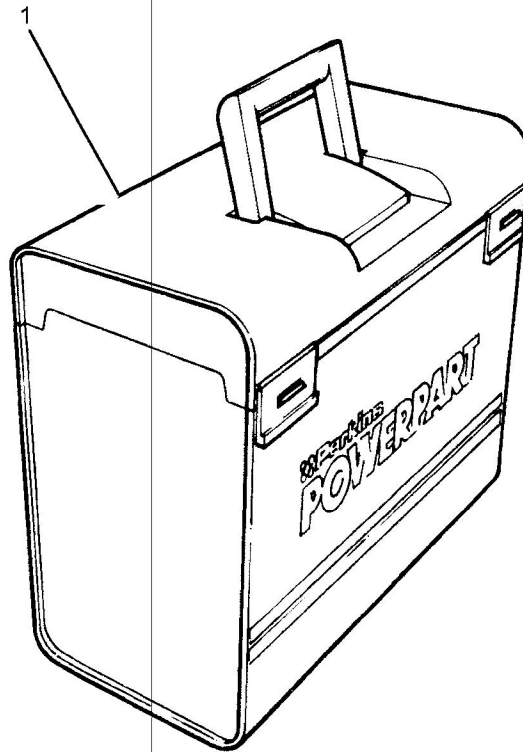


<b>Application Miscellaneous &amp; Auxiliaries</b>	<b>Plate A</b>
	<b>ZZHK0422</b>

Item	Part No.	References	Qty.	Description	Notes
25	010700610		8	SCREW	
25	011510830	•∞ 011310830	1	SCREW	
25	011310820		1	SCREW	
26	385620200		2	CONNECTION	(A)
29	385620270		1	CONNECTION	
37	020100008		4	NUT	

<b>Footnotes</b>					
(A)	STARTER MOTOR				

ZZUK0100

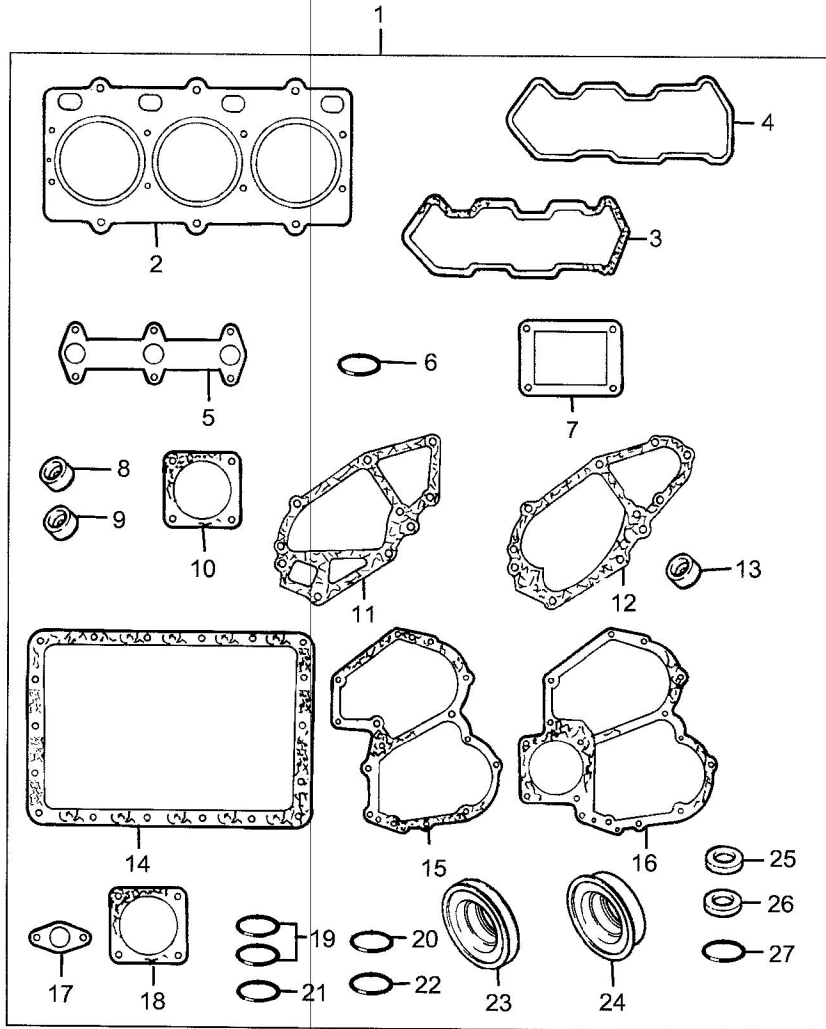


<b>Application Miscellaneous &amp; Auxiliaries</b>	<b>Plate B</b>
	<b>ZZUK0100</b>

<b>Item</b>	<b>Part No.</b>	<b>References</b>	<b>Qty.</b>	<b>Description</b>	<b>Notes</b>
1	U5MK0210		X	REPAIR KIT - ONBOARD	(A)
2	U5MK0209		X	REPAIR KIT - ONBOARD	

<b>Footnotes</b>					
(A)	COMPONENT PARTS NOT ILLUSTRATED				

SGBK0010





**Joints & Gaskets - Complete Service Kit**

**Plate D**

**SGBK0010**

Item	Part No.	References	Qty.	Description	Notes
1	195906621		1	JOINTS AND GASKET KIT	
2	—111147280	∞ 111147270 + (+)1.3MM	1	GASKET - CYLINDER HEAD	
3	—111996271		1	GASKET - IND MANIFOLD	
4	—052109061		1	GASKET - CYL. HEAD COVER	
5	—135996541		1	GASKET - EXHAUST MANIFOLD	
6	—052100400		1	SEAL - O RING	
7	—131426300	∞ 131437310	1	SHIM KIT	
8	—120406050		3	SEAL - VALVE STEM	(A)
9	—120406070		3	SEAL - VALVE STEM	(B)
10	—314990013		1	GASKET - EXHAUST	
11	—145996270		1	GASKET - WATER PUMP	
12	—145996280		1	GASKET - WATER PUMP	
13	—131426010	∞ 131426130	3	SEAL - INJECTOR	
14	—110996491		1	GASKET - SUMP	
15	—165996300		1	GASKET - TIMING CASE	
16	—165996310		1	GASKET - TIMING CASE	
17	—130996070		1	GASKET - LIFT PUMP	
18	—165996110		1	GASKET - OIL FILLER	
19	—052100100		2	SEAL - O RING	
20	—052109076		1	SEAL - O RING	
21	—052300700		1	SEAL - O RING	
22	—052300600		1	SEAL - O RING	
23	—198636090		1	SEAL - FRONT END OIL	
24	—198636080		1	SEAL - REAR END OIL	(C,D)

**Footnotes**

(A)	EXHAUST
(B)	INLET
(C)	SEE SERVICE BULLETIN NO.195
(D)	ALSO ORDER WEAR SLEEVE - 29990038

**Parts Index**

Description	Part No.	Page
ADAPTOR	198486770	97
ADJUSTING SCREW	199486220	21
ALTERNATOR	2871A152	71, 73
ANTI-TAMPER CAP	131046350	31
ARM	125156170	25
	125156180	25
ARMATURE	185846159	53
BALL	26278110	43, 45
BALL BEARING	040106203	11
	040109059	23
	24880199	75, 75
	26278086	43, 43, 43, 45
	26278087	43, 43, 43, 45
BAR	185376110	87
BEARING	28710257	71
BEARING HOLDER ASSEMBLY	110156111	11
	110156121	11
	110156330	11
BELT	080109053	73
	080109103	73
BIG END BEARING KIT	198586020	15, 17
BIG END BRG KIT - U/S	198586024	15, 17
	198586027	15, 17
BOLT	011300612	55
	130436011	85, 85

Description	Part No.	Page
	130516092	83
	131236190	35
	140148030	31
	185846166	53
	185846300	53
	198486780	61, 61
BRACKET	110266230	93
	110266240	93
	110976142	85
	110976152	93
	110976162	93
	120346170	21
	131296650	35
	160976170	93
	185976271	73
	27550012	99
	28710367	71
BRUSH	185416130	53
	185416141	53
BULB	27550008	99
	27550011	99
BUSH	185846131	53
	185846134	53
	198517082	11
	198517084	11
	198517087	11
	198517090	11

**Parts Index**

Description	Part No.	Page
	26278098	43, 45
CAGE	26278082	39
	26278097	43, 45
CAM	24880196	75
	26278011	39
CAMSHAFT	120026360	23
CAMSHAFT GEAR	120016001	23
	120016040	23
	120736081	23
CAP	064210015	11
	111346020	31
	120186080	19, 19
	130516090	83
	198436010	59
	199376230	101
	310110090	69
	310110220	69
CASE	185846454	53
CIRCLIP	036500021	15, 15, 17, 17
	036509005	11
	036800005	25
	036800006	25
	036800010	29
	24880200	75
	24880219	75, 75
	26278078	39, 39
	26278102	43, 45

Description	Part No.	Page
CLAMP	199106021	31, 31
CLIP	198340140	69
	198756150	69, 69
	198756160	69, 69
	198756170	69, 69
	198756230	69, 69, 69, 69
COIL	185846160	53
COLLAR	199236540	29
CON ROD ASSEMBLY	115026191	15, 17
CON ROD BOLT	115176150	15, 17
CON ROD NUT	020109075	15, 17
CONNECTION	140546020	61
	198487110	85
	385620200	103
	385620270	103
COUNTER	27550002	99
COVER	140116140	29
	145536370	69, 69
	185846136	53, 53, 53
	185846449	53
	24880189	75
	26278070	39
	26278072	39
	27550003	99
	27550010	99, 99
CRANKSHAFT GEAR	115276180	15, 17

Description	Part No.	Page
CRANKSHAFT KIT	115236010	15, 17
CRANKSHAFT PULLEY	115397140	63
CYLINDER BLOCK ASSEMBLY	110186020	11
CYLINDER HEAD ASSEMBLY	111016842	19
CYLINDER HEAD COVER	111026542	59
	111216921	59
DIAPHRAGM	130516084	83
DIPSTICK	198416371	55
	198416770	55
	26278077	39
DIPSTICK TUBE	110756570	55
DISC	26278103	43, 43, 43, 43, 45, 45, 45, 45
	26278104	43, 43, 43, 45, 45, 45
	26278109	43, 45
DOWEL	030500512	11
	030500612	11, 11, 11
	030500616	11
	030501025	11, 47
DRAIN TAP	198736050	97
ELBOW	135616660	81
EXCHANGER	135606180	69
EXHAUST VALVE	120176250	19

Description	Part No.	Page
FLANGE	26278119	41
FLYWHEEL	115357061	49
FLYWHEEL HOUSING	110446621	47
FORK	26278073	39
FUEL FILTER	130366120	85
FUEL FILTER ASSEMBLY	130306190	85
FUEL INJECTION PIPE	131506921	31
	131506931	31
	131506941	31
FUEL INJECTION PUMP	131017350	35
	131017351	31, 33
FUSE	4173A001	99
GASKET	110996641	55
	130516089	83
	165996570	23
	26278026	39
	26278083	39, 39, 45
	314990030	81
	U65996570	23
GASKET - CYL. HEAD COVER	052109061	59, 107
GASKET - CYLINDER HEAD	111147280	19, 107
GASKET - EXHAUST	314990013	107

**Parts Index**

Description	Part No.	Page
GASKET - EXHAUST MANIFOLD	135996541	69, 107
GASKET - IND MANIFOLD	111996271	59, 107
GASKET - LIFT PUMP	130996070	85, 107
	130996130	85
	130996140	85
GASKET - OIL FILLER	165996110	77, 107
GASKET - SUMP	110996491	55, 107
	110996630	55
	110996800	55
	110996900	55
	U10996900	55
GASKET - THERMOSTAT HSG	145996890	65
GASKET - TIMING CASE	165996300	23, 107
	165996310	23, 107
	165996520	23
	165996530	23
	165996580	23
GASKET - WATER PUMP	145996270	65, 107
	145996280	65, 107
	145996650	65
	145996660	65
	145996900	65
	145996910	65

Description	Part No.	Page
	24880195	75
GEAR	185866050	53
GEARBOX	170106010	39, 41, 43
GEARBOX GEAR	26278081	39
	26278096	43
	26278116	45
GLOWPLUG	185366190	87
GUDGEON PIN	115326231	15, 17
HOLDER	131196120	35
	185416150	53
	27550009	99, 99
HOSE	145536361	69
	145536581	69
	145536661	69
HOSE CLIP	20120	69, 69
HOUSING	130516080	83
	135126020	79
	135126022	79
	26278067	39
IGNITION KEY	27550021	99
IGNITION SWITCH	27550006	99
IMPELLER	24880194	75
	24880451	75
INJECTOR	131406330	31, 33
INJECTOR NOZZLE	131416140	33
INJECTOR WASHER	198996050	31
INSERT	110136270	19

Description	Part No.	Page
	110136280	19
	111316230	31
INSTRUMENT PANEL	2755F003	99
INTAKE VALVE	120166240	19
JOINTS AND GASKET KIT	195906621	107
KEY	030509020	15, 17
	034100508	23, 63
	26278118	45
LEVER	125046160	25
	125046260	25
	125176071	25
	125406071	25
	125416020	25
	130516086	83
	185726531	73
	185846165	53
	26278006	39
LIFT PUMP	130506140	83, 85
MAIN AIR FILTER	110666190	79, 79
MAIN BEARING KIT	198586010	15, 17
MAIN BEARING KIT - U/S	198586014	15, 17
	198586017	15, 17
MOUNTING	2634A157	99
	2634C205	93, 93
NEEDLE BEARING	042303015	11
NIPPLE	131246130	35

Description	Part No.	Page
NUT	020100006	31
	020100008	73, 73, 77, 103
	020100010	47, 51, 75, 85
	020109076	21
	020700008	25
	020800018	63
	023100006	25, 25, 31, 65, 69, 73
	023100008	21, 47, 81
	023109002	31, 31
	024600008	59
	131446008	33
	131446064	33
	2318A205	99
	26278019	39
27550013	99	
O RING	131226170	35
OIL DIPSTICK	198416740	55
OIL FILLER CAP	198436350	59
OIL FILTER	140516190	61
	140517030	61
OIL PIPE	130556452	55
	140606670	61
	140986480	55
OIL PRESSURE SWITCH	185246060	95

**Parts Index**

Description	Part No.	Page
OIL PUMP IDLER GEAR	U5MK8265	29
PANEL	27550007	99
PIN	030300325	21
	030300414	23
	030300816	15, 17
	030309005	11
	031100004	25
	130516085	83
	130516088	83
	131296651	35
	131446012	33
	26278010	39
	26278114	43
	26278115	43
	PINION	185846127
PIPE - FUEL	130556460	85
	130556471	85
	131606490	31
PISTON AND RING KIT	115016764	15, 17
	115016767	15, 17
	115017170	15
	115017500	17
PISTON RING KIT	115107201	15
	115107204	17
	115107206	17
	115107980	17

Description	Part No.	Page
PLATE	110366700	47
	110516020	55
	131296622	35
	131296623	35
	131296624	35
	131296625	35
	131296626	35
	131296627	35
	131296628	35
	131296629	35
	131296630	35
	131296631	35
	131296632	35
	131296633	35
	131296634	35
	131296635	35
	131296662	35
	145146090	65
	145386520	65
	165166181	23
	165206570	77
	185846163	53
	195816200	89, 89
	199566651	101
	26278080	39, 39
	26278120	41
	3621D001	99



Description	Part No.	Page
PLUG	010401212	55
	064100045	11
	064200015	19, 69
	064200018	19
	064200030	19, 69
	064210025	11
	064210035	11
	064210040	11
	064500010	47, 65
	064500020	55, 59
	064500030	65
	064609006	21
	130396030	85
	198466010	11
	198466030	11
	198466050	11
	198466940	11
	199486180	65
26278017	39	
PLUNGER	130516082	83
	131116400	35
PUSHROD	120456201	21
RACK	131296636	35
RECTIFIER	28710284	71
REGULATOR	28710283	71
RELAY	2848A227	99
RELIEF VALVE	140036220	27

Description	Part No.	Page
REPAIR KIT - ONBOARD	U5MK0209	105
	U5MK0210	105
REPAIR KIT- SEAWATER PUMP	24880202	75
RIM	145546430	69
RING	26278076	39, 39
	26278084	43
	26278085	45
	26278095	43, 45
	26278101	43, 45
ROCKER ARM ASSEMBLY	120356200	21
	120356210	21
ROCKER SHAFT	120036690	21
	120316171	21
ROCKER SHAFT SPRING	198216780	21
ROTOR	28710366	71
SCREW	010100625	31
	010100814	85
	010109235	55
	010109238	91
	010109264	25
	010109271	31
	010109340	49
	010109366	69
010109600	25	
010110630	25	

**Parts Index**

Description	Part No.	Page
	010110695	69
	010401225	93, 93
	010700610	101, 103
	010700845	11
	010810840	11, 11, 11
	011140612	23
	011300616	25, 55, 55, 55, 65, 85
	011300630	73
	011300635	65, 65
	011300640	23, 73
	011300645	73
	011300660	23, 65
	011300680	23, 79, 79
	011300812	55
	011300860	23
	011300870	75
	011310612	101
	011310614	65
	011310616	25, 55, 55, 55, 65, 85
	011310620	31, 65
	011310630	73
	011310635	65, 65
	011310640	23, 73
	011310645	73
	011310660	23, 65

Description	Part No.	Page
	011310680	23, 79, 79
	011310812	93
	011310816	47, 73, 89, 89
	011310820	103
	011310825	47
	011310830	73, 73
	011310840	73
	011311020	47, 47, 93, 93
	011311025	47
	011311030	51
	011311045	51
	011510830	103
	011510850	11, 11
	015140412	53
	015150306	79
	015150308	79, 79
	0720866	75
	111136440	19
	111136450	19
	130516091	83
	131136320	35
	131136330	35
	185846161	53
	2311D036	41
	2314H001	99
	2314J003	41

Description	Part No.	Page
	24880192	75
	24880193	75
	26278093	43
SEAL	120996060	101
	120996120	101
	145996590	65
	26278008	39
SEAL - FRONT END OIL	198636090	23, 107
SEAL - INJECTOR	131426010	33, 107
SEAL - O RING	052100030	25, 25
	052100050	25
	052100070	25
	052100100	55, 107
	052100150	27
	052100400	59, 107
	052109076	55, 107
	052300600	107
	052300700	75, 107
	052400280	69
	131226180	83
	24880197	75
	26278075	39
	398116800	93
SEAL - REAR END OIL	198636080	47, 107
SEAL - SHAFT	24880042	75
SEAL - VALVE STEM	120406050	19, 107

Description	Part No.	Page
	120406070	19, 107
SEAT	131296620	35
	131296621	35
SETSCREW	26278005	39, 39
	26278007	39
	26278018	39, 39, 39
SHAFT	120076070	101
	125116130	25
	125116131	25
	24880201	75
	26278074	39
	26278079	39
	26278088	43
	26278117	45
SHIELD	26278068	39
	26278069	39, 45
SHIM	131437590	31
	131437600	31
	131437610	31
	131437620	31
	131437630	31
	131437830	31
	131437840	31
	199286150	29
	199286160	29
	199286170	29
	199286180	29

**Parts Index**

Description	Part No.	Page
	26278089	43, 43
	26278090	43, 43
	26278091	43, 43
	26278092	43, 43
	26278105	43, 43
	26278106	43, 43
	26278107	43, 45
	26278108	43, 45
SHIM KIT	131426300	107
SHORT ENGINE - ASSEMBLY	110006350	9
SLEEVE	131296950	35
	26278111	43
	26278112	43
SMALL END BUSH	198517120	15, 17
SNAP RING	036800008	25, 25
SOLENOID	185816180	53
SPACER	131446058	33
	199216230	23
	199236720	73
	199237060	73
	26278094	43
	26278099	43, 45
SPRING	130516081	83
	130516083	83
	130516087	83
	131176430	35
	131176440	35

Description	Part No.	Page
	131446011	33
	185846119	53
	198216720	29
	198216731	25
	198217220	25
	198217310	25
	198217400	65
	198217820	25
	26278063	45
	26278113	43
STARTER MOTOR	185086321	51, 53
STARTER MOTOR - EXCHANGE	185086321R	51, 53
STARTER RING	115376130	49
	U15376130	49
STATOR	28710369	71
STAY	125976120	25
STOP SPRING	198216760	25
STRAINER	135116030	79, 79
	140406270	55
STUD	012100635	11, 73
	012100660	11
	012100820	81
	012109177	21
	012109207	69
	012110620	11
	012111025	47
SUMP	110706890	55

Description	Part No.	Page
TAPPET	120116160	21
	125256120	23
	131256120	35
TEMPERATURE GAUGE	27550001	99
THERMOSTAT	145206021	65
	145206022	65
TIMING CASE	165106231	23
TUBE	110756201	55
	145506300	69
VALVE	131156160	35
VALVE BODY	131446054	33
VALVE COLLET	120226070	19, 19
VALVE SPRING	198216700	19, 19
VALVE SPRING CAP	120216040	19, 19
	120216041	19, 19
WARNING LIGHT	27550004	99
	27550005	99
WASHER	025100006	31, 55
	025100010	31, 31
	025100012	55
	025100016	91
	026200006	73, 73
	026200008	25, 73, 73, 73, 73, 73
	026200010	25, 51
	026200018	63
	027100006	69, 69

Description	Part No.	Page
	027100008	81, 85
	027100010	47, 51, 75, 85
	027100012	93, 93
	130326051	85, 85, 85, 85
	130516069	83
	131186050	35
	131426120	33
	131426180	35
	131436540	33, 35
	131436550	33, 35
	131436560	33, 37
	131436570	33, 37
	131436580	33, 37
	131436590	33, 37
	131436600	33, 37
	131436610	33, 37
	131436620	33, 37
	131436630	33, 37
	131436640	33, 37
	131436650	33, 37
	131436660	33, 37
	131436670	33, 35
	131436680	33, 35
	131436690	33, 35
	131436700	33, 35
	131436710	33, 35

**Parts Index**

Description	Part No.	Page
	131436720	33, 37
	131436730	35, 37
	140996260	59, 61, 61
	185846126	53
	198996060	59, 61, 61
	199266180	29
	199280280	21
	2131A004	99
	2131A012	93, 93
	2134A004	99
	26278071	39, 39, 39, 39, 39
	26278100	43, 43, 45, 45
WATER PIPE	068118630	69
	145986160	69
WATER PUMP	145016474	65
	145016941	75
WATER PUMP GEAR	340460141	75

Description	Part No.	Page
WATER PUMP HOUSING	24880191	75
WATER PUMP PULLEY	145336490	65
WATER TEMPERATURE SENSOR	2755A006	99
WIRE	198236030	31
WIRING HARNESS	2880A005	99
	2880A006	99
	4172T005	99
	4172T006	99